

# CUWIN V2 Series Hardware Manual

CWV2-070BR/CWV2-070WR/CWV2-102BR

[Version 1.1]



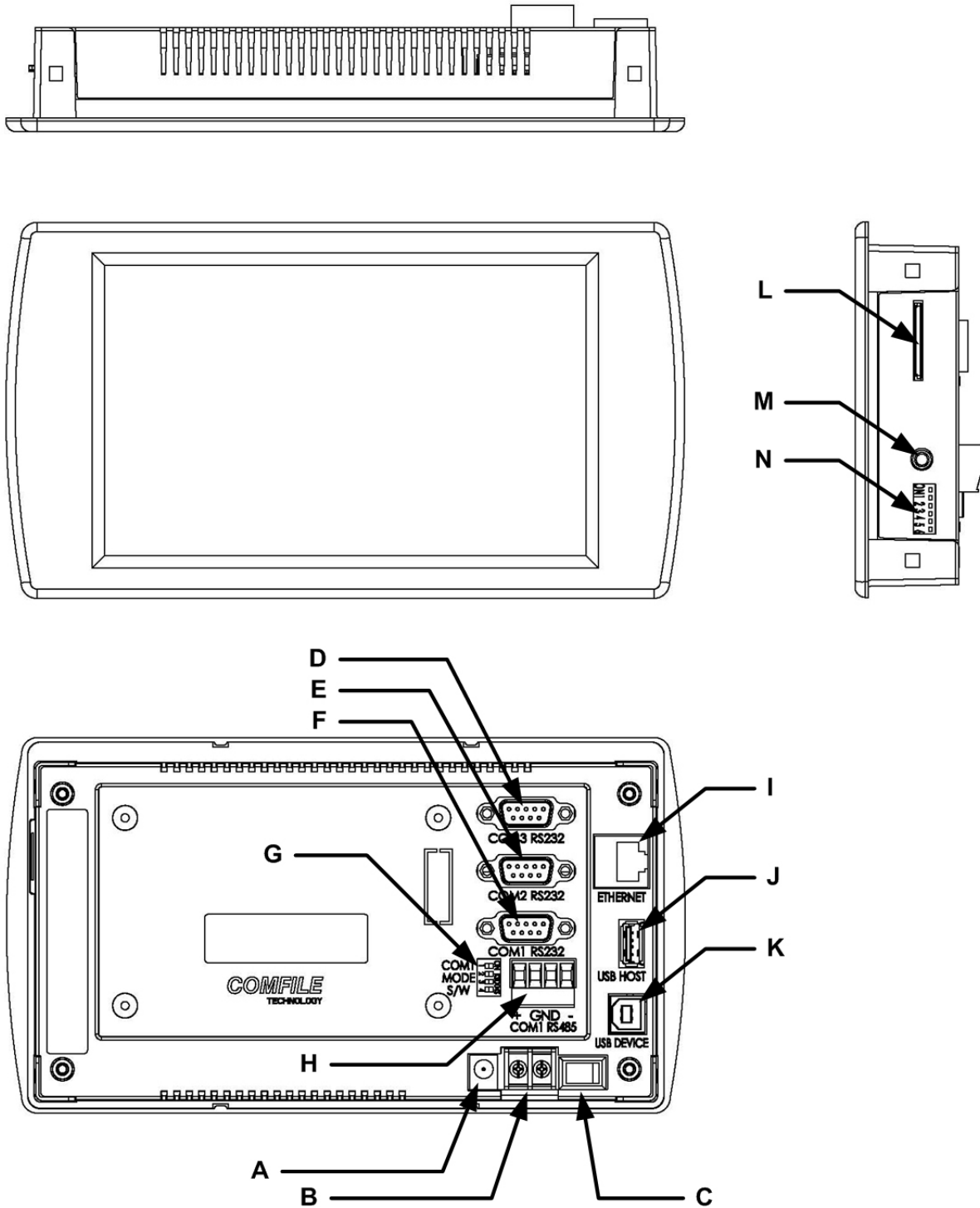
**COMFILE**  
TECHNOLOGY  
COMFILE Technology, Inc.

## 1. Hardware Specification

ITEM	MODEL		
	CWV2-070BR	CWV2-070WR	CWV2-102BR
MCU	32Bit RISC CPU, ARM Cortex-A8,1GHz		
Memory	SDRAM : 512MB eMMC: 4GB		
LCD	TFT LCD(260,000 Color) 7 Inch (800 x 480) 400cd/m <sup>2</sup>		TFT LCD(260,000 Color) 10.2 Inch (800 x 480) 350cd/m <sup>2</sup>
Backlight	LED Backlight (ON/OFF switchable)		
Ethernet	100Base-T (1Port)		
Touch	4 wire resistive panel		
RTC	Highly Accurate RTC(DS3231) <sup>(1)</sup> (Battery replaceable)		
Audio	<0.8W Micro speaker embedded Stereo audio output (ø3.5 Audio Jack)		
USB	OTG 1Port Device 1Port (Support USB Storage/ WiFi)		
Serial	COM1 (RS232C / RS485 switchable) COM2 (RS232C) COM3 (RS232C)		
SDCARD	Support external SD CARD (SD/SDHC)		
Input Power	DC12V~DC24V		
Power Consumption	<6W (0.5A@12V)		<10W (0.8A@12V)
MAX. Current	500mA		800mA
Dimension (mm)	216(H)x120(V)x41(D)	222(H)x152(V)x56(D)	284(H)x163(V)x56(D)
Weight	450g	650g	1040g
Operating Temperature	0°C~70°C		
Storage Temperature	-30°C~80°C		

<sup>(1)</sup> The accuracy of the RTC depends on circumstances.

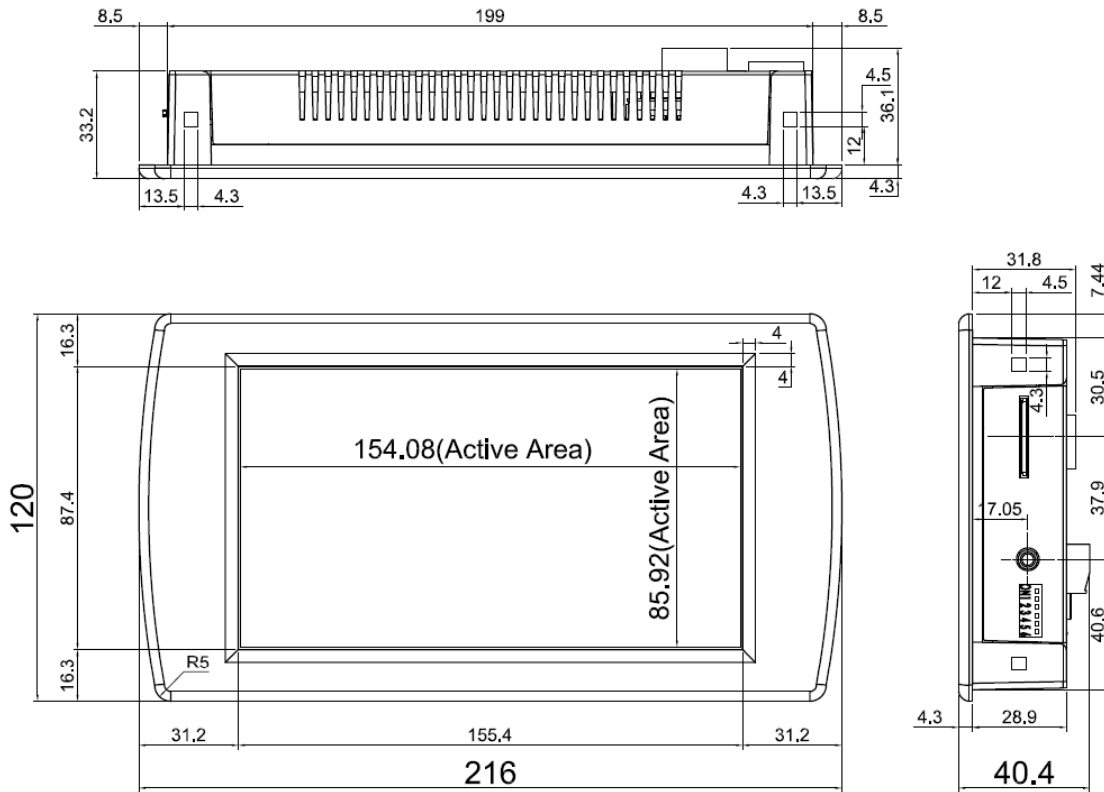
## 2. External Parts



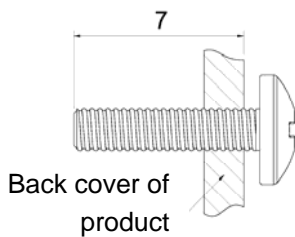
	Name	Description
A	Power input DC-Jack	ϕ 2.5 DC Power Input Jack for adaptor
B	Power terminal	Power terminal for cables
C	Power S/W	Power input ON/OFF
D	COM3	COM3 (RS232C / Female Type D-SUB 9PIN)
E	COM2	COM2 (RS232C / Female Type D-SUB 9PIN)
F	COM1_RS232C	COM1_RS232C (RS232C / Female Type D-SUB 9PIN)
G	COM1 Mode Switch	DIP Switch for selecting COM1 mode
H	COM1_RS485	COM1_RS485 Port (RS485)
I	Ethernet	10Base-T Ethernet Port (RJ-45)
J	USB_HOST	USB Host Port (USB A Type Connector)
K	USB_DEVICE	USB OTG Port (USB mini AB Type Connector)
L	SD Card Connector	SD Card slot
M	Audio Out	Stereo Audio Output Port ( ϕ 3.5)
N	Boot Mode S/W	DIP Switch for selecting Boot mode

### 3. Dimensions

[CWV2-070BR]



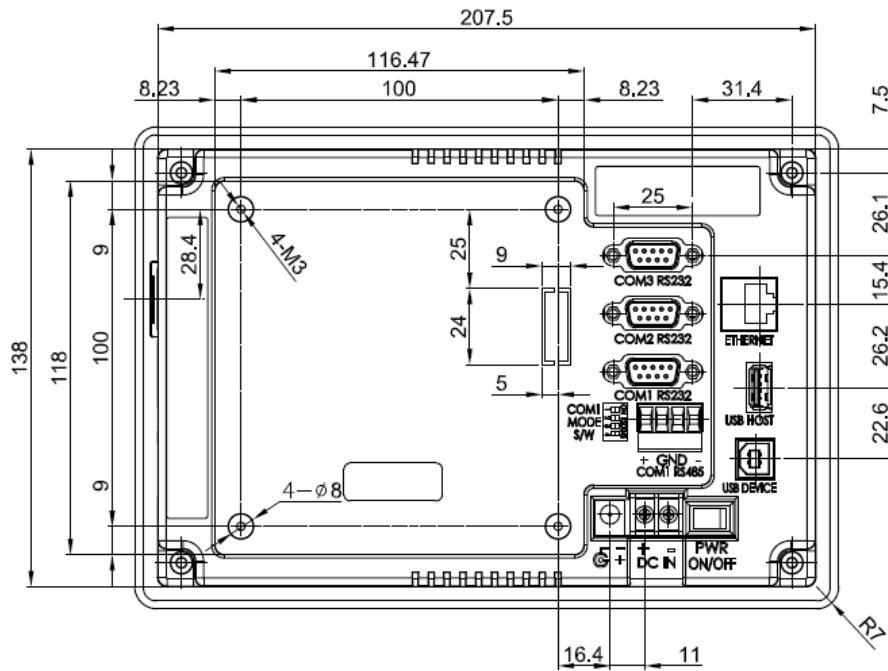
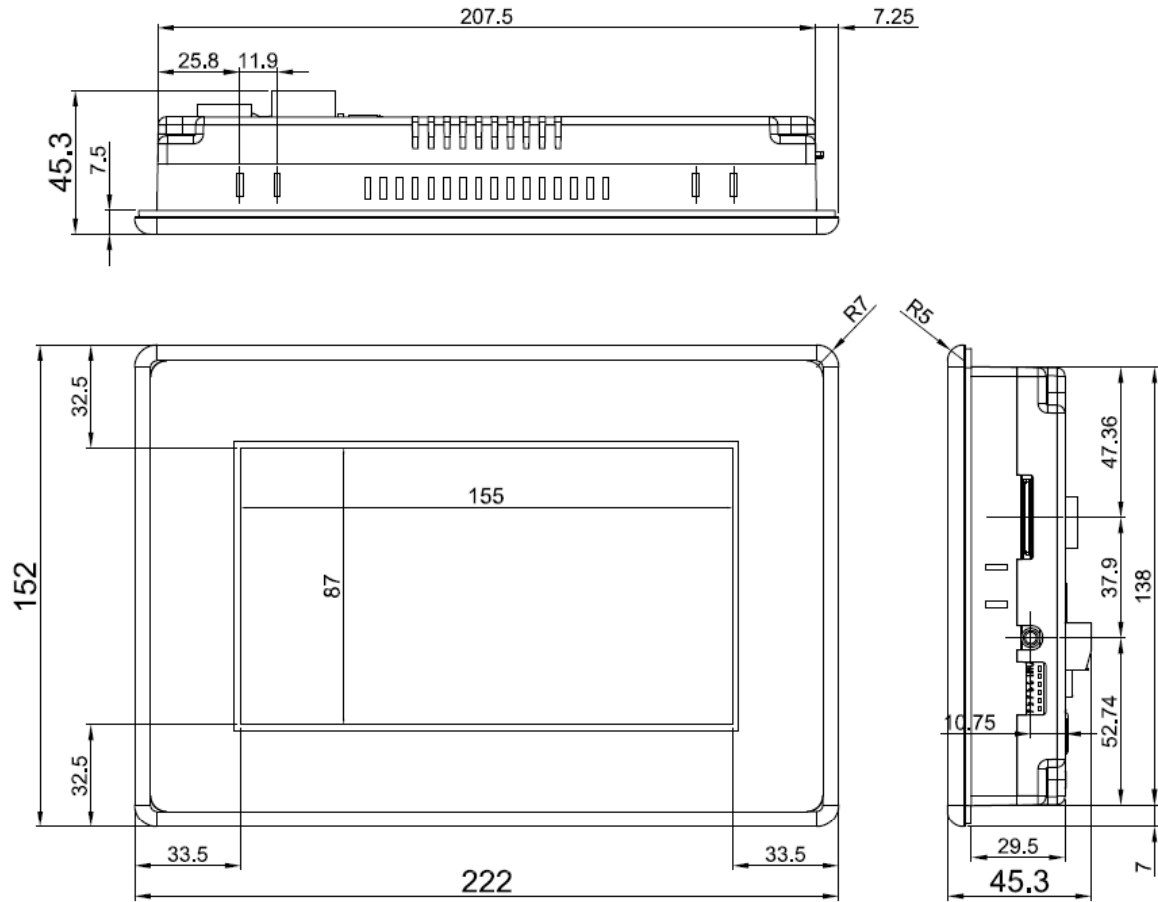
Unit: mm



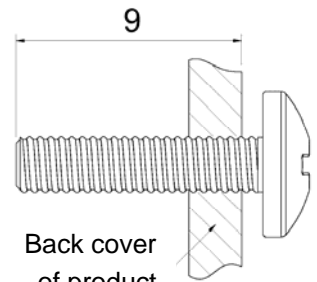
Avoid using long bolts when assembling VESA mounts or add-on board.

The inner maximum length is about 7mm.

[CWV2-070WR]



Unit: mm

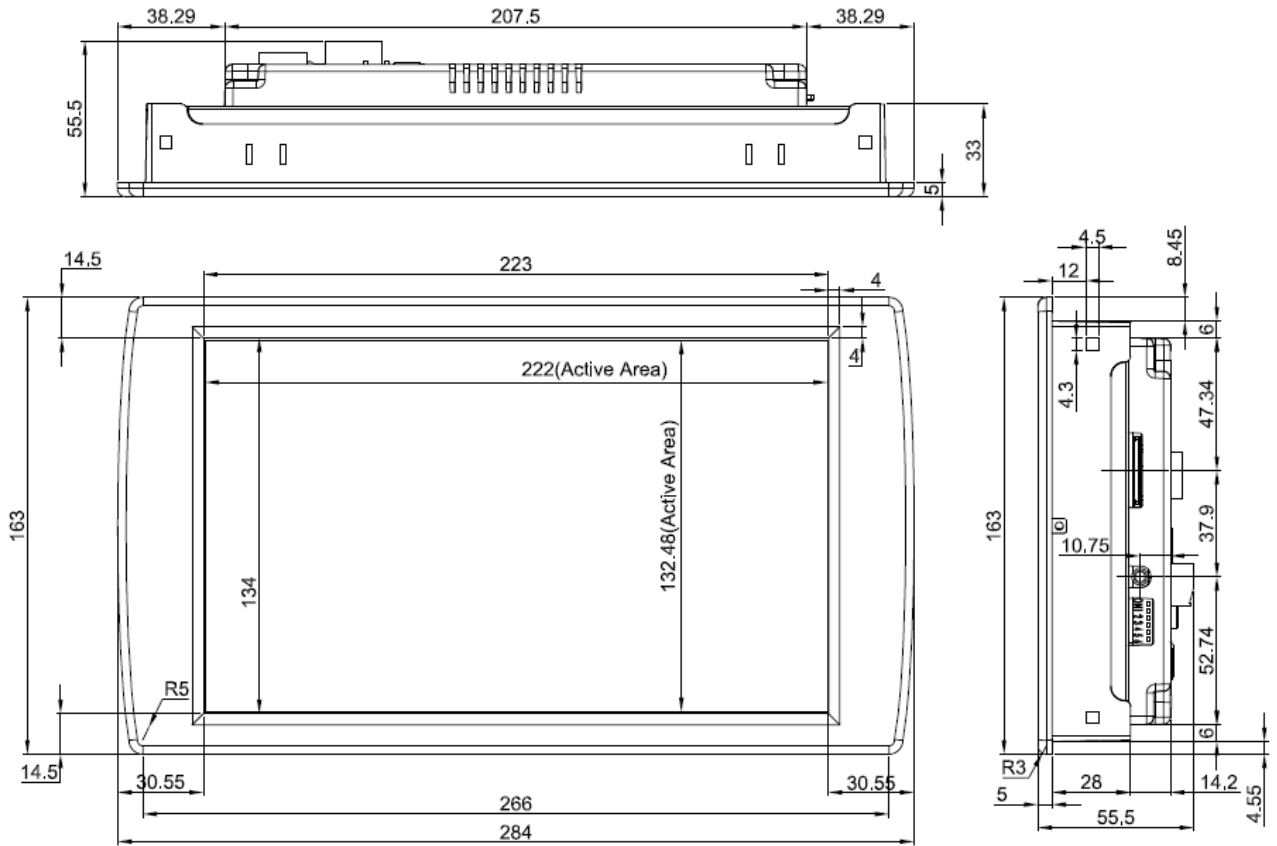


Back cover of product

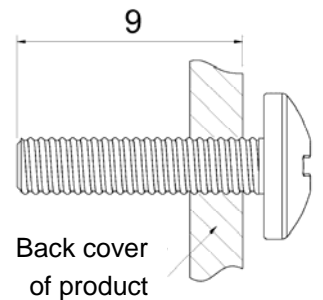
Avoid using long bolts when assembling VESA mounts or add-on board.

The inner maximum length is about 9mm.

[CWV2-102BR]



Unit: mm

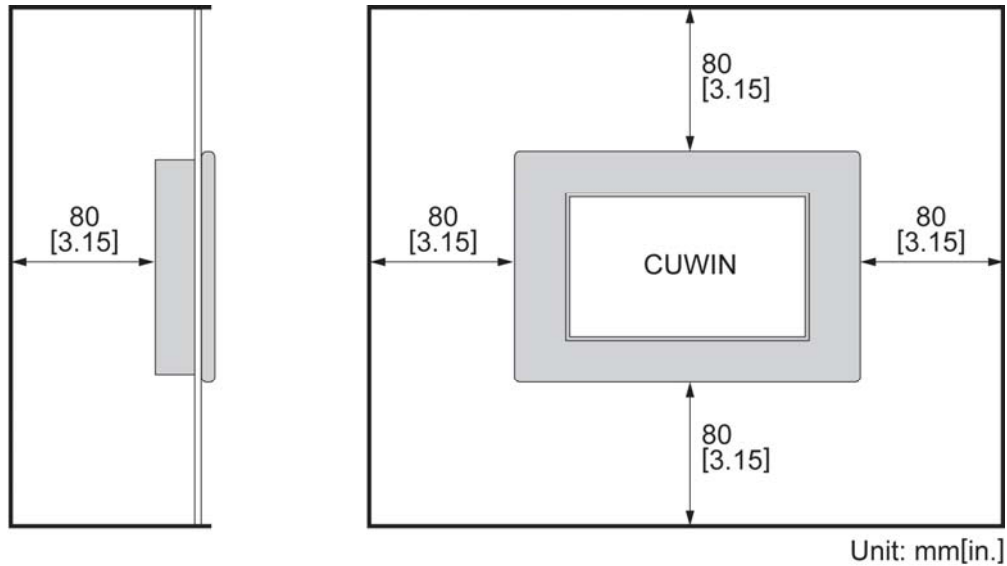


Back cover of product

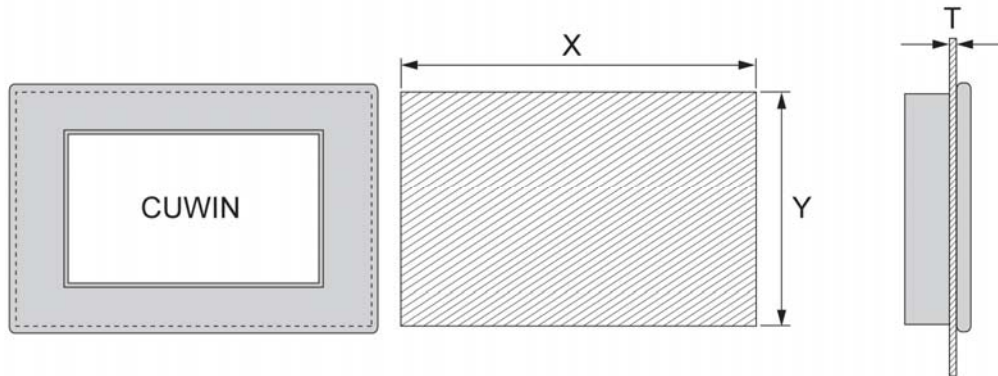
Avoid using long bolts when assembling VESA mounts or add-on board.  
The inner maximum length is about 9mm.

## 4. PANEL CUTOUT

### Installation Requirements



### Installation



**X:** Panel Cutout Width, **Y:** Panel Cutout Height, **T:** Panel Thickness  
Unit: mm[in.]

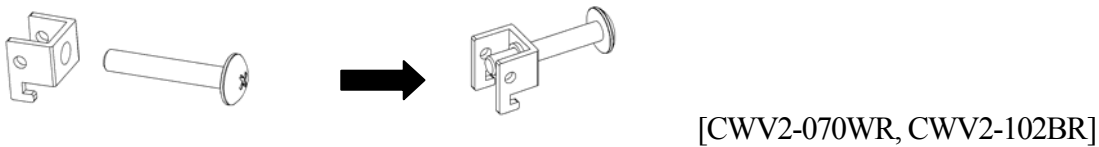
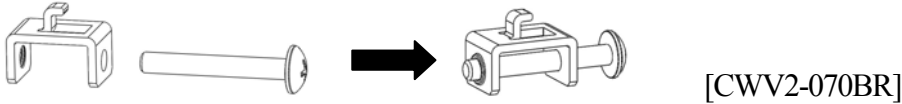
CUWIN	X	Y	T
<b>CWV2-070BR</b>	200 [7.88]	110 [4.34]	1.6 to 6.0 [0.06 to 0.24]
<b>CWV2-070WR</b>	208 [8.19]	139 [5.48]	1.6 to 4.5 [0.06 to 0.18]
<b>CWV2-102BR</b>	265 [10.44]	151 [5.95]	1.6 to 5.0 [0.06 to 0.20]



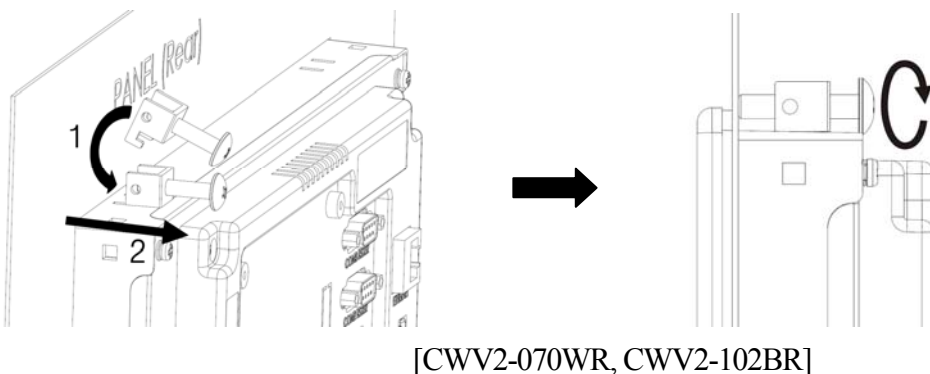
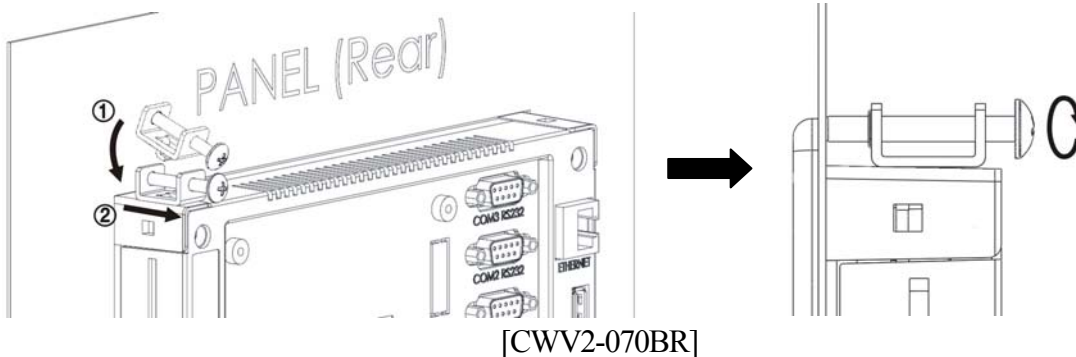
## 5. Bracket Installation

### ■ CWV2-070BR/CWV2-070WR/CWV2-102BR

1. Insert a bolt into each mounting bracket as shown in the diagram below.



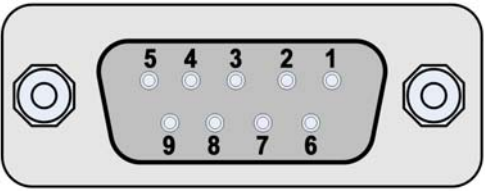
2. Make a hole in the panel according to the CWV2-070BR/CWV2-070WR/CWV2-102BR's cutout diagram, and insert the CWV2-070BR/CWV2-070WR/CWV2-102BR into place.
3. Press the bracket as the following directions in two steps.
4. Tighten the bolt against the panel to secure the CWV2-070BR/CWV2-070WR/CWV2-102BR to the panel.(Be careful not to tighten the bolts too tightly, or the CWV2-070BR/CWV2-070WR/CWV2-102BR could be damaged.)



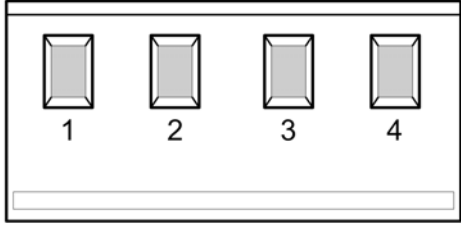
5. Repeat steps 3 and 4 for each mounting bracket.

## 6. Input/Output Connectors

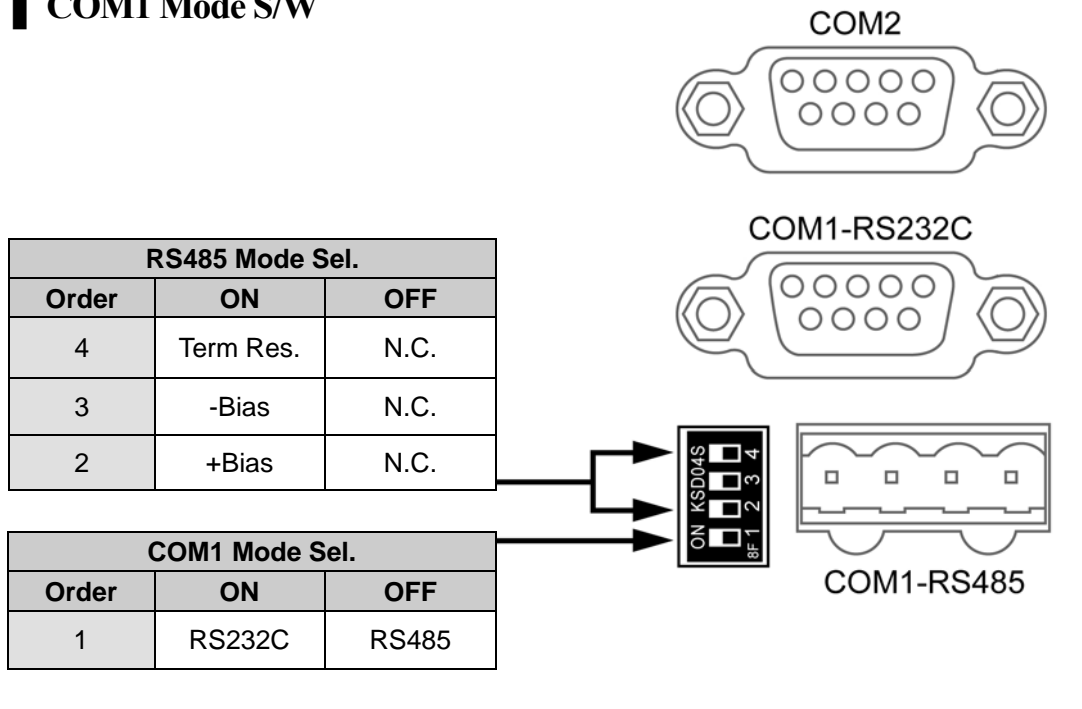
### RS232C Input/Output Connector (COM1\_RS232C, COM2, COM3)

Connector Type	Order	Name	Order	Name
 <p>*D-SUB 9Pin Female</p>	1	-	6	-
	2	TXD	7	-
	3	RXD	8	-
	4	-	9	-
	5	GND	-	-

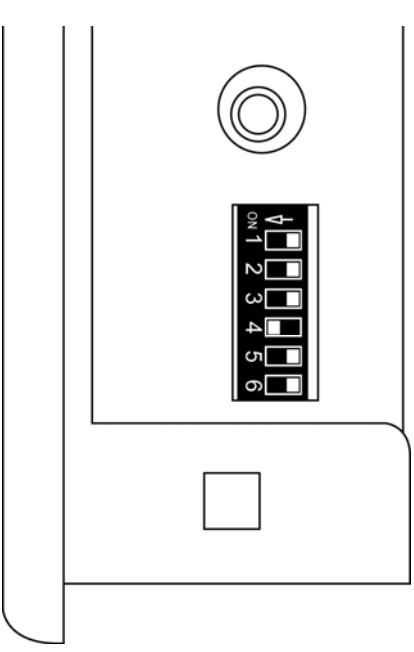
### RS485 Input/Output Connector (COM1\_RS485)

Connector Type	Order	Name
	1	D+
	2	GND
	3	GND
	4	D-

### COM1 Mode S/W

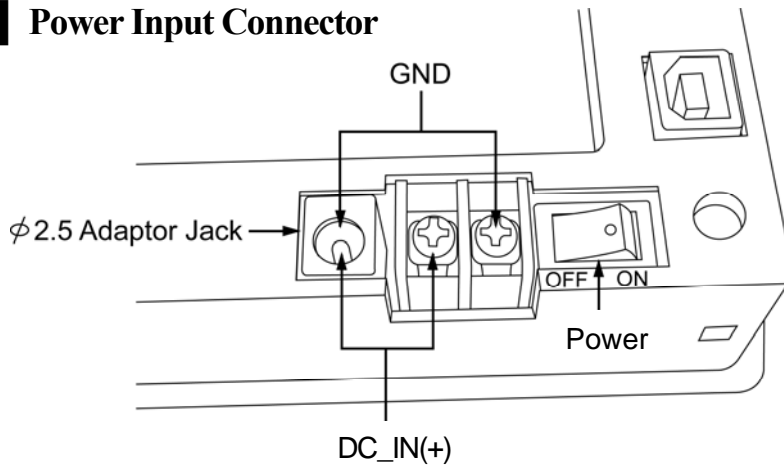


**Boot Mode S/W**

Connector Type	Order	Setting			
	1	Boot Device Selection	-	ON	
			eMMC Boot	OFF	
	2	Boot Mode	Reserved	2	ON
				3	ON
			Auto Run Mode	2	ON
				3	OFF
	3	Boot Mode	Boot Loader Mode	2	OFF
				3	ON
			Development Mode	2	OFF
				3	OFF
	4	Reserved			
	5	Reserved			
6	Reserved				

\* Boot Device Selection S/W must be turned OFF for normal booting.

**Power Input Connector**

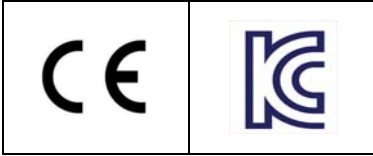


**⚠ Caution for wiring**

- Please make sure if every power supply is off before starting wiring.
- Please check the voltage and cables before supplying power.

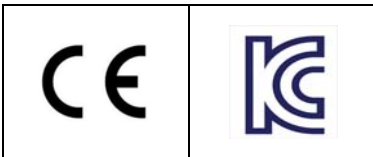
## 7. EMI/EMC Certifications

▶ CWV2-070BR:



KCC Registration No. : MSIP-REM-CUL-CWV2-070BR

▶ CWV2-070WR:



KCC Registration No. : MSIP-REM-CUL-CWV2-070WR

▶ CWV2-102BR:  
TDB

## 8. Warranty Policy

### Warranty Period

The products are warranted to be free of defects in materials and workmanship for 1 year from the date of purchase.

### Warranty Exclusions

The warranty does not cover abrasion and is considered void if the product is opened by unauthorized person, damaged by abnormal use, heat or humidity, or used against user manual.

### Request of Warranty Repair

If the products have defect(s) during the warranty period, the customer should inquire at the manufacturer or dispatch the products with the description to the address the manufacturer provides. If the request is appropriate, the manufacturers repairs and dispatch it to the customer.

### Limitation of Liability

The manufacturer and distributor are not responsible for damages or breakdowns caused by direct or indirect reasons, and the maximum duty of manufacturer and distributor are limited to the total amount paid by the customer. The limitations or exclusions of warranty have priority over any other warranty expressed explicitly, implicatively, in writing, or orally.

#### Contact Information

Should you need any additional information or assistance about CWV2 Series, please feel free to contact us.

#### Comfile Technology Inc.

14 Pidgeon Hill Drive, Suite 310, Sterling, VA 20165, U.S.A

#### Telephone

Toll-Free : (888) 9CUBLOC, (888) 928 2562

Office : (571) 322 5010

Fax : (571) 322 5011

Office Hours: Monday-Friday 9am-5:30pm EST

#### E-mail

Sales: [sales@comfiletech.com](mailto:sales@comfiletech.com)

Technical Support: [support@comfiletech.com](mailto:support@comfiletech.com)