

# **CWR-070WR**

# **USER Manual**

- 1. Front waterproof support (According to IP65)**
- 2. Built-in speaker (Volume adjustable)**
- 3. Windows Embedded 7 Core**

● Programs previously used in Windows CE 6.0 may have compatibility problems in WINDOWS Embedded 7, so please review them before using.

**COMFILE**  
**TECHNOLOGY**

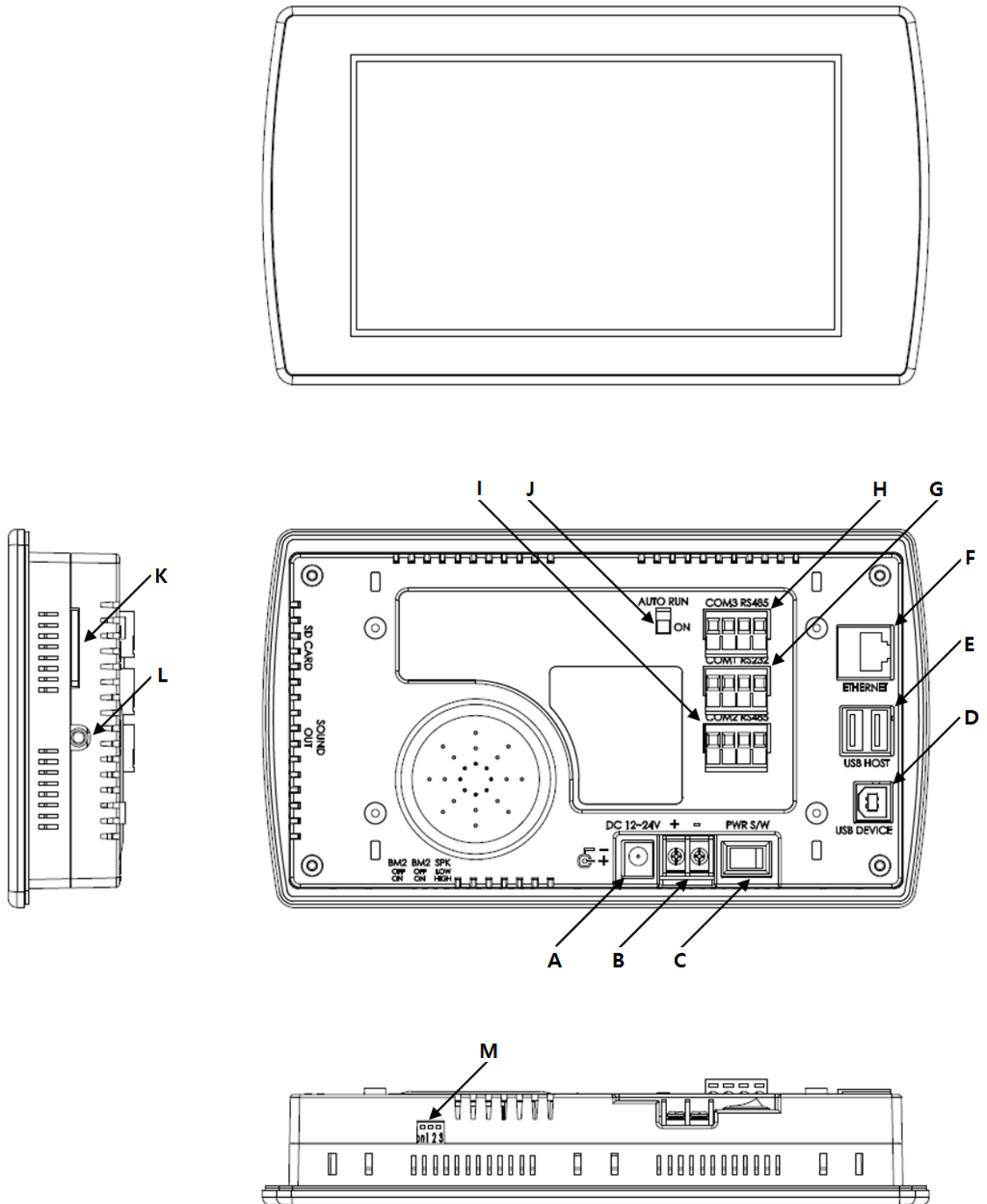
COMFILE Technology, Inc.

# 1. Hardware Specification

ITEM	CWR-070WR
MCU	32Bit RISC CPU(ARM Cortex-A9 Dual, 1000MHz)
Memory	SDRAM : 1024MB eMMC : 4GB
LCD	TFT-LCD(260,000 Color) 7Inch(800x480) 330cd/m <sup>2</sup>
O/S	WINCE 7.0(Compact7) Core version (PRO version available upon order)
Backlight	LED Backlight (ON/OFF Switchable)
Ethernet	10/100/1000M-bits Ethernet (1Port)
Touch	4wire resistive panel
RTC	Battery replaceable (The battery is inside and has a lifespan of about 10years.)
Audio	<0.8W Micro speaker embedded Stereo audio output(ø3.5 Audio Jack)
USB	Host 2Port
	Device 1Port
Serial	COM1 (RS232C)
	COM2 (RS485)
	COM3 (RS485)
SDCARD	Support external SD CARD(Max 32GB)
Input Power	DC12V~DC24V
Power Consumption	<6.6W (0.55A@12V)
MAX. Current	550mA
Operating Temperature	0℃~70℃
Booting Time	7 sec

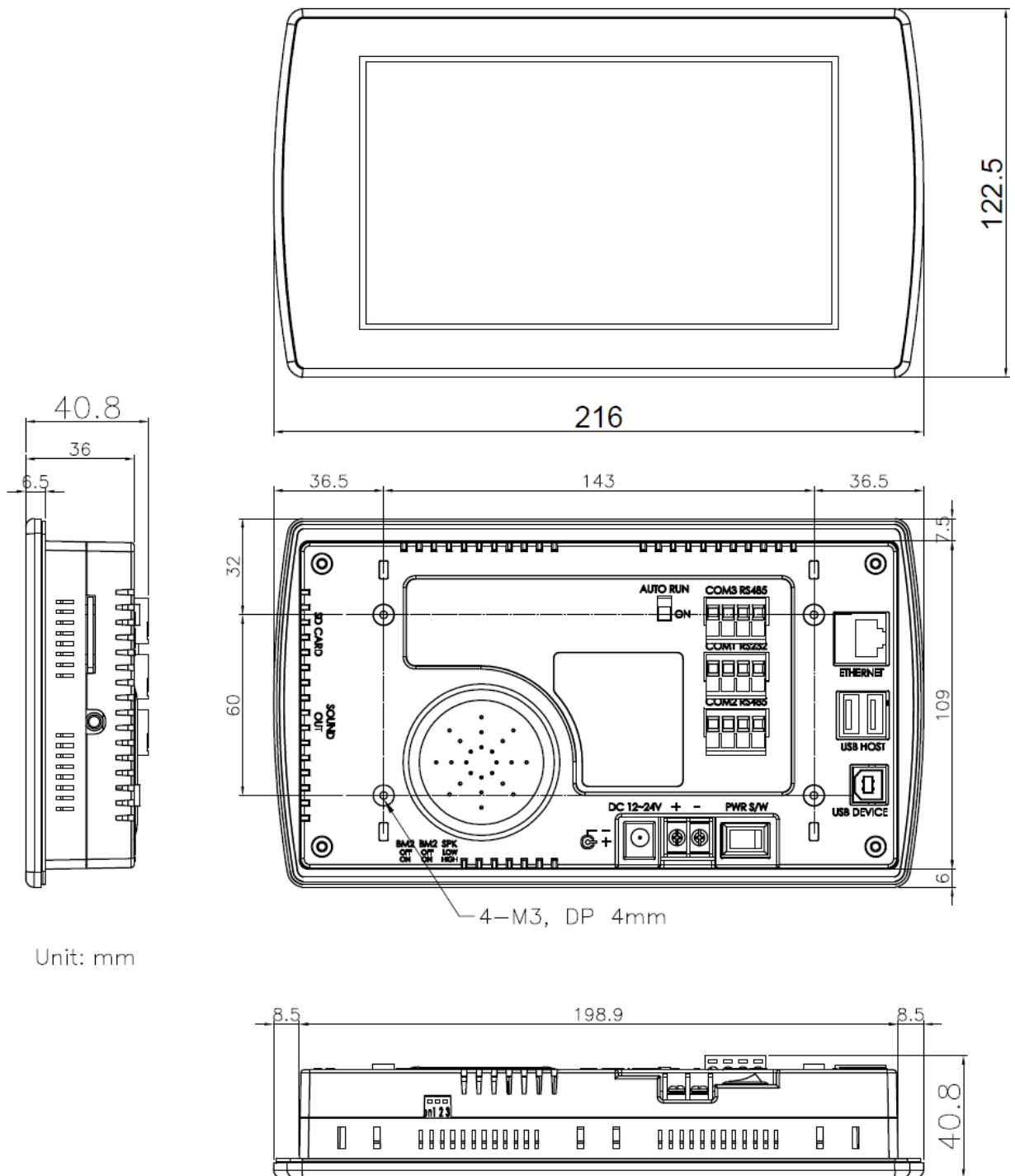
(1) The accuracy of the RTC depends on circumstances.

## 2. External Parts



	Name	Description
A	Power input DC-Jack	φ2.5 DC Jack Power Input Jack for adaptor
B	Power terminal	Power terminal for cables. (Connect power to only one of A and B)
C	Power S/W	Power input ON/OFF
D	USB Device	USB Device Port (USB B Type Connector)
E	USB HOST	USB Host Port(x2)
F	Ethernet	Ethernet Port (RJ-45)
G	COM1_RS232C	COM1 RS232 Port
H	COM3_RS485	COM1 RS485 Port
I	COM2_RS485	COM3 RS485 Port
J	Auto Run S/W	Auto run switch. (If it is in the ON position, the user program starts automatically, and in the OFF position Windows CE desktop screen appears.)
K	SD Card Socket	SD Card slot
L	Audio Out	Stereo Audio Output Port (φ3.5)
M	Volume S/W	2 Step Volume Switch (Built-in speaker, this volume switch is H/W Adjust the volume by adjusting the amplification level of the amplifier. It can also be adjusted with the volume control function of Windows CE.)

### 3. Dimensions

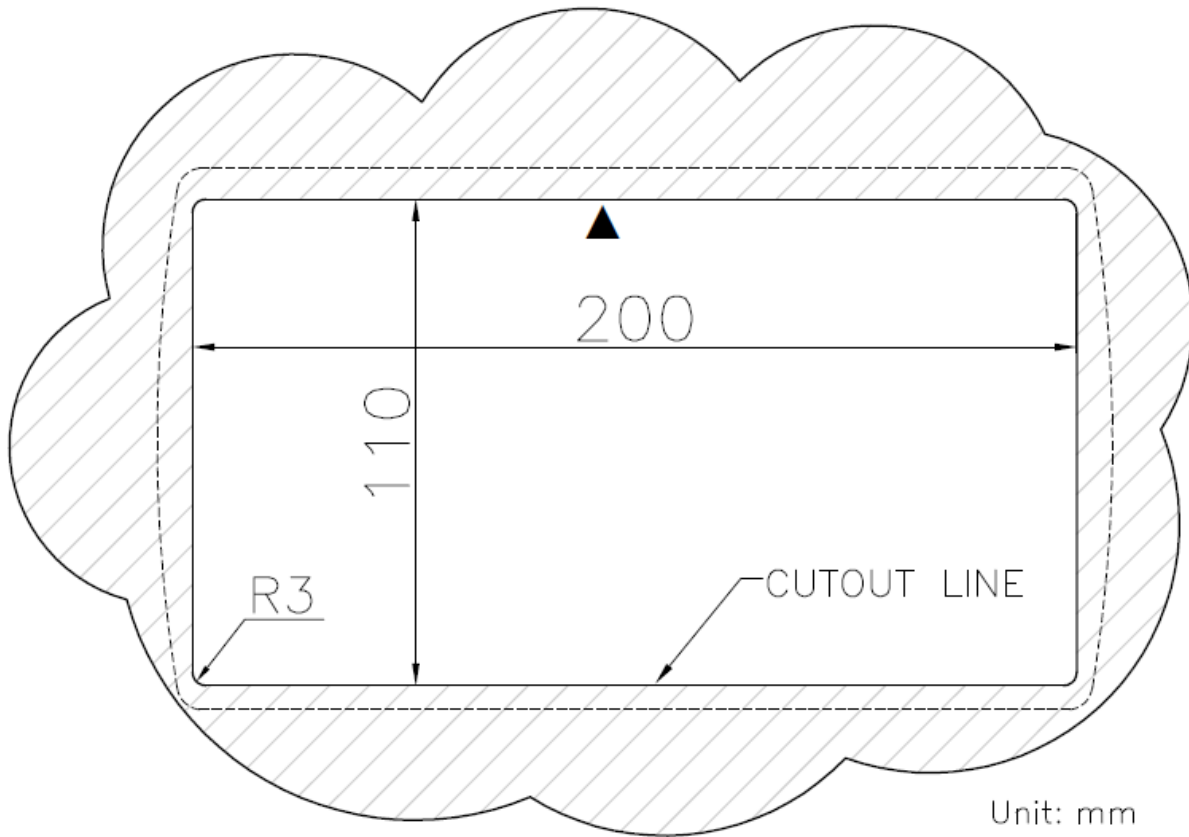


Unit: mm

OUTLINE DIMENSIONS

## 4. PANEL CUTOUT

### Installation Requirements



PANEL CUTOUT – BACK VIEW

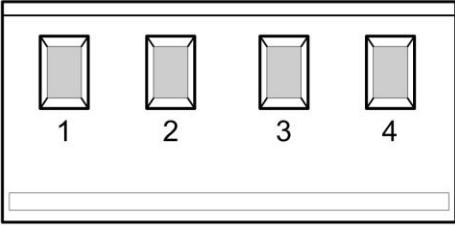
X: Panel Cutout Width, Y: Panel Cutout Height, T: Panel Thickness

Unit: mm[in.]

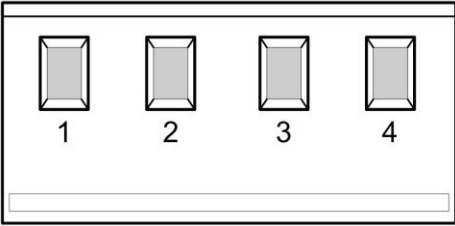
	X	Y	T
CWR-070WR	208 [8.19]	139 [5.48]	1.6 to 4.5 [0.06 to 0.18]

## 5. Input/Output Connectors

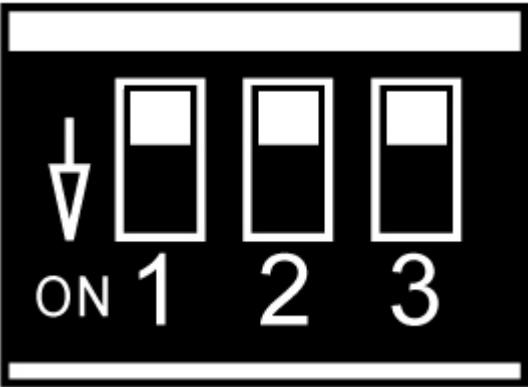
### RS232C Input/Output Connectors (COM1)

Connector Type	Order	Name
	1	TX
	2	GND
	3	GND
	4	RX

### RS485 Input/Output Connectors (COM2,COM3)

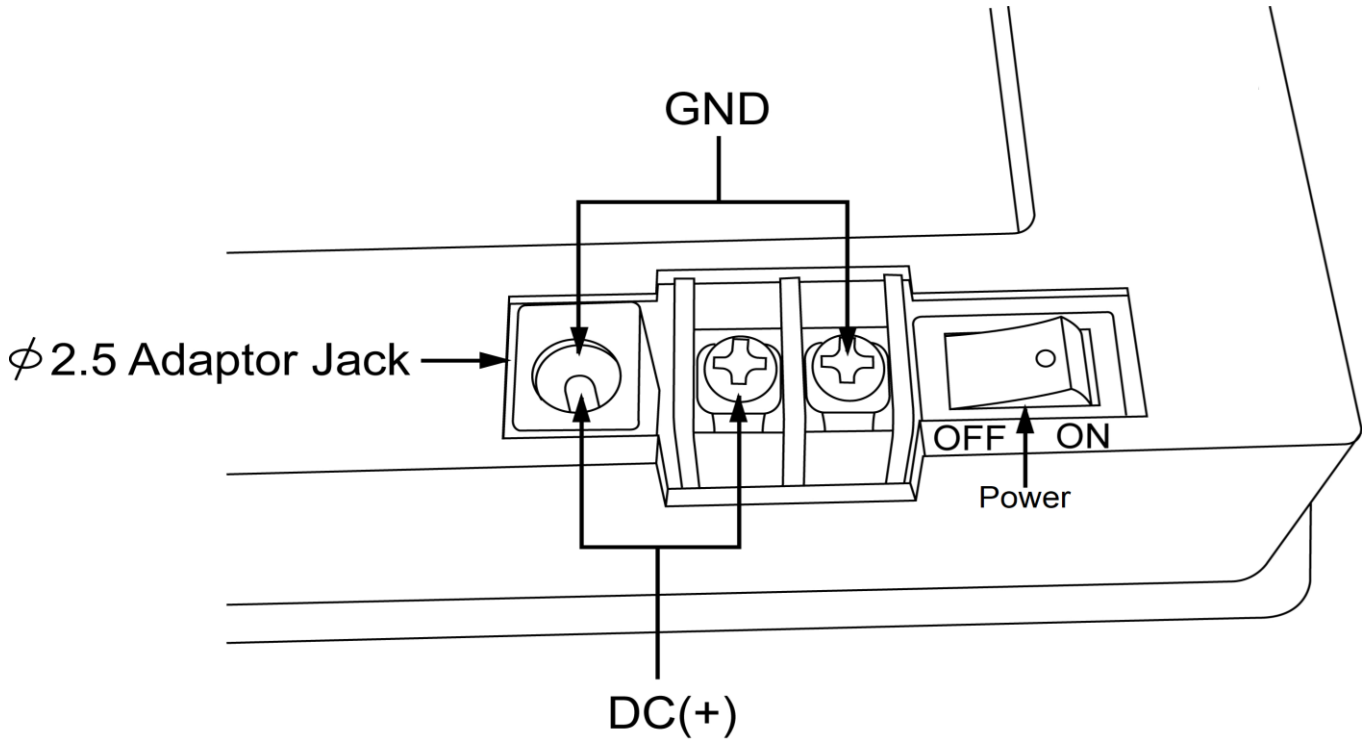
Connector Type	Order	Name
	1	D+
	2	GND
	3	GND
	4	D-

### Boot Mode Switch

Connector type	Item	Setting			
		1	2	3	
	Boot Mode Selection	Normal Mode	OFF	OFF	-
		Download Mode	ON	ON	-
	2 Step	Loud sound	OFF	OFF	OFF
		Low sound	OFF	OFF	ON

\* Boot Device Selection switch must be turned OFF for normal booting. (Pin 1,2,3)

Power Input Connector



**⚠ Caution for wiring**

- Please make sure if every power supply is off before starting wiring.
- Please check the voltage and cables before supplying power.



## 6. Warranty Policy

### ■ Warranty Period

The products are warranted to be free of defects in materials and workmanship for 1 year from the date of purchase.

### ■ Warranty Exclusions

The warranty does not cover abrasion and is considered void if the product is opened by unauthorized person, damaged by abnormal use, heat or humidity, or used against user manual.

### ■ Request of Warranty Repair

If the products have defect(s) during the warranty period, the customer should inquire at the manufacturer or dispatch the products with the description to the address the manufacturer provides. If the request is appropriate, the manufacturers repairs and dispatch it to the customer.

### ■ Limitation of Liability

The manufacturer and distributor are not responsible for damages or breakdowns caused by direct or indirect reasons, and the maximum duty of manufacturer and distributor are limited to the total amount paid by the customer. The limitations or exclusions of warranty have priority over any other warranty expressed explicitly, implicatively, in writing, or orally.

#### Contact Information

Should you need any additional information or assistance about ComfilePi Series, please feel free to contact us.

#### **Comfile Technology Inc.**

14 Pidgeon Hill Drive, Suite 310, Sterling, VA 20165, U.S.A

#### **Telephone**

**Toll-Free : (888) 9CUBLOC, (888) 928 2562**

Office : (571) 322 5010

Fax : (571) 322 5011

Office Hours: Monday-Friday 9am-5:30pm EST

#### **E-mail**

Sales: [sales@comfiletech.com](mailto:sales@comfiletech.com)

Technical Support: [support@comfiletech.com](mailto:support@comfiletech.com)