

# CUWIN

## Hardware Manual

CWA-070BR/CWA-070WR/CWA-102BR/CWA-104WR

[Version 1.4]



**COMFILE**  
TECHNOLOGY

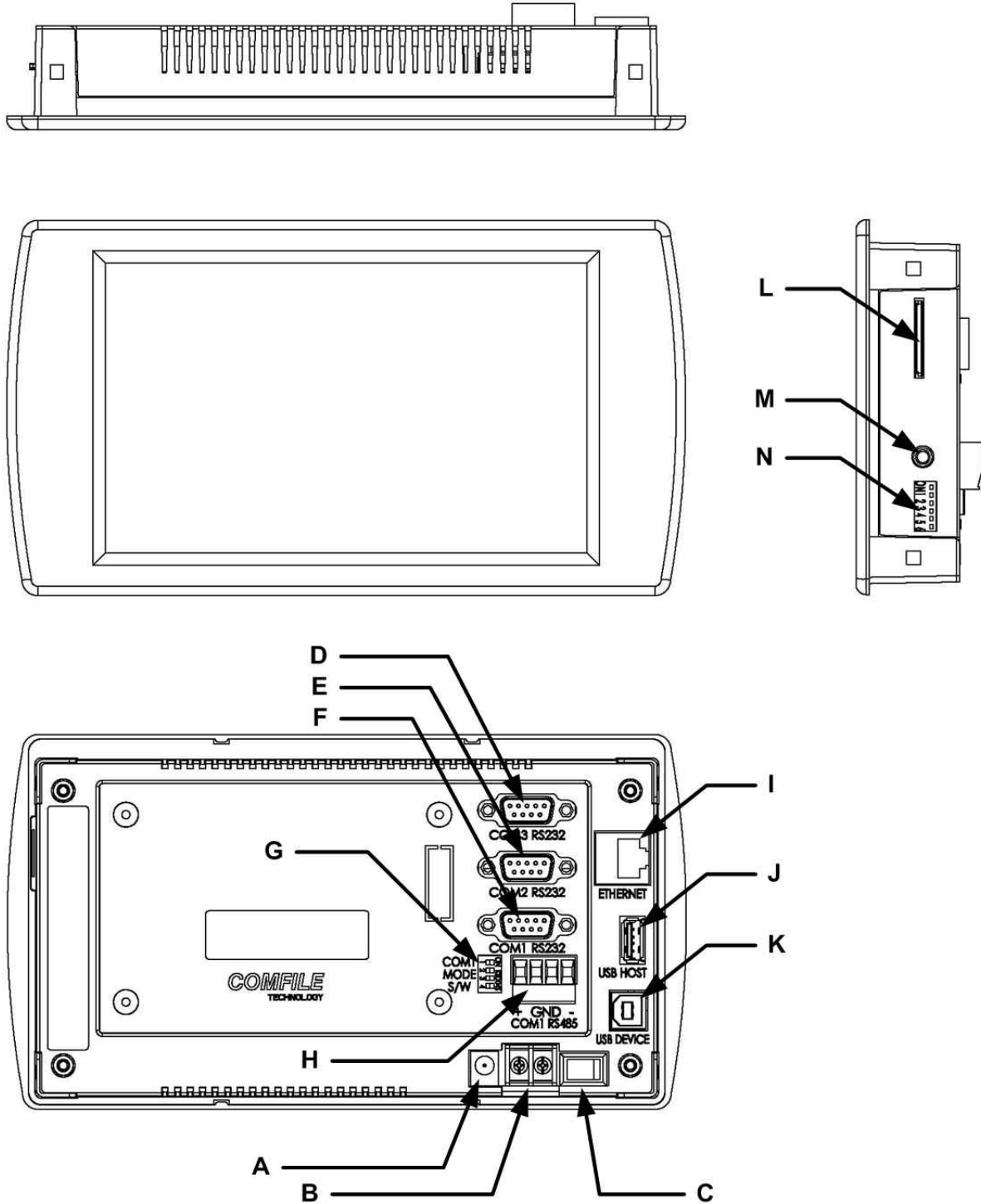
COMFILE Technology, Inc.

## 1. Hardware Specification

ITEM	MODEL			
	CWA-070BR	CWA-070WR	CWA-102BR	CWA-104WR
<b>MCU</b>	32Bit RISC CPU(ARM926EJ-S Core) – 400MHz			
<b>Memory</b>	SDRAM : 128MB (OS Image: 52MB / User : 76MB) NAND Flash : 256MB(OS Image:5 2MB / User : 204MB)			
<b>LCD</b>	TFT LCD(260,000 Color) 7 Inch (800 x 480) 300cd/m <sup>2</sup>	TFT LCD (260,000 Color) 10.2 Inch(800x480) 300cd/m <sup>2</sup>	TFT LCD (260,000 Color) 10.4Inch(800x600) 300cd/m <sup>2</sup>	
<b>Backlight</b>	LED Backlight (ON/OFF switchable)			
<b>Ethernet</b>	100Base-T (1Port)			
<b>Touch</b>	4 wire resistive panel			
<b>RTC</b>	MCU-embedded RTC <sup>(1)</sup> (Battery replaceable)			
<b>Audio</b>	<0.8W Micro speaker embedded Stereo audio output (ø3.5 Audio Jack)			
<b>USB</b>	Host 1Port Device 1Port (Support USB Storage)			
<b>Serial</b>	COM1 (RS232C / RS485 switchable) COM2 (RS232C) COM3 (RS232C)			
<b>SDCARD</b>	Support external SD CARD (32GB bytes)			
<b>Input Power</b>	DC12V~DC24V			
<b>Power Consumption</b>	<6W (0.5A@12V)		<7.2W (0.6A@12V)	<7.2W (0.6A@12V)
<b>MAX. Current</b>	500mA		600mA	600mA
<b>Dimension (mm)</b>	216(H)x120(V)x41(D)	222(H)x152(V)x56(D)	284(H)x163(V)x56(D)	280(H)x227(V)x56(D)
<b>Weight</b>	450g	650g	1040g	1700g
<b>Operating Temperature</b>	0℃~70℃			

<sup>(1)</sup> The accuracy of the RTC depends on circumstances.

## 2. External Parts



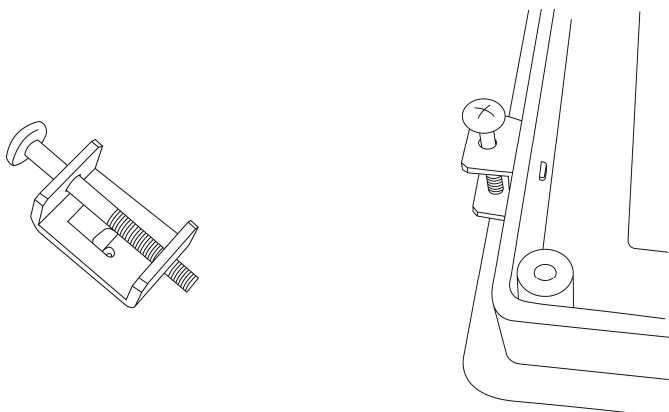
	Name	Description
A	Power input DC-Jack	φ 2.5 DC Power Input Jack for adaptor
B	Power terminal	Power terminal for cables
C	Power S/W	Power input ON/OFF
D	COM3	COM3 (RS232C / Female Type D-SUB 9PIN)
E	COM2	COM2 (RS232C / Female Type D-SUB 9PIN)
F	COM1_RS232C	COM1_RS232C (RS232C / Female Type D-SUB 9PIN)
G	COM1 Mode Switch	DIP Switch for selecting COM1 mode
H	COM1_RS485	COM1_RS485 Port (RS485)
I	Ethernet	10Base-T Ethernet Port (RJ-45)
J	USB_HOST	USB Host Port (USB A Type Connector)
K	USB_DEVICE	USB Device Port (USB B Type Connector)
L	SD Card Connector	SD Card slot
M	Audio Out	Stereo Audio Output Port (φ 3.5)
N	Boot Mode S/W	DIP Switch for selecting Boot mode

### 3. Bracket Installation

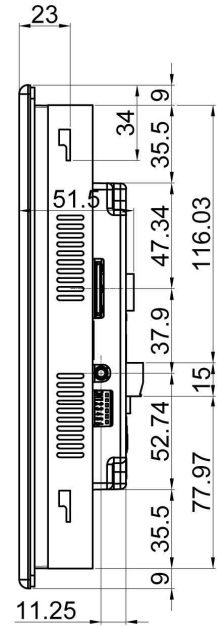
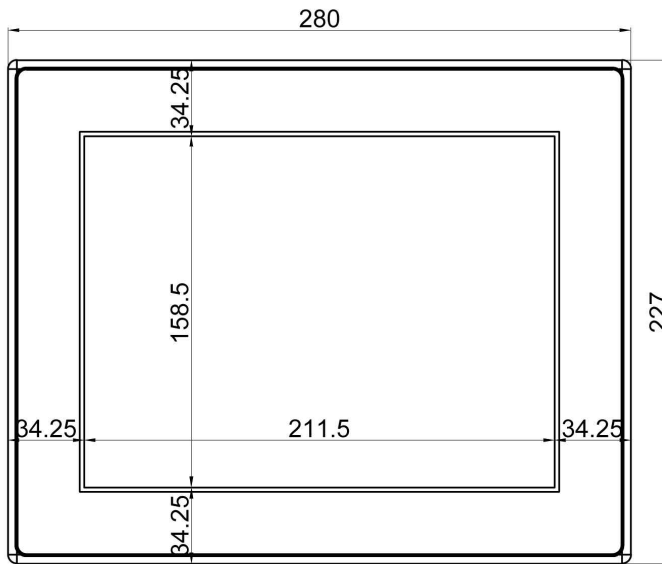
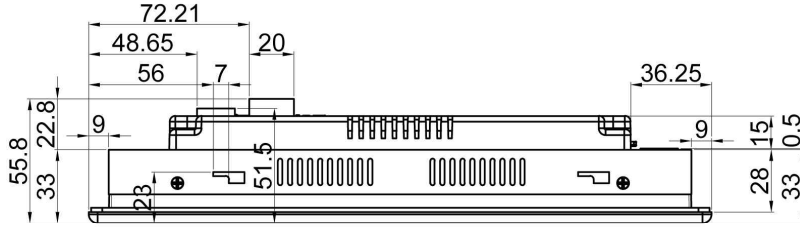
Mounting screws and brackets are provided with each CUWIN. They are designed to clamp the CUWIN bezel against a front panel, with the rear portion of the device extending through a panel cutout.

After assembling the brackets as shown below, insert the side hooks into the appropriate mounting holes on the top and bottom of the device.

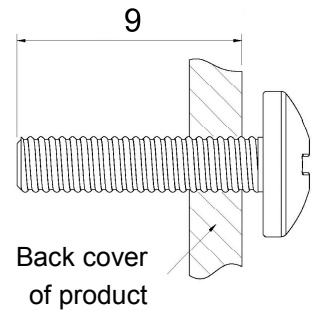
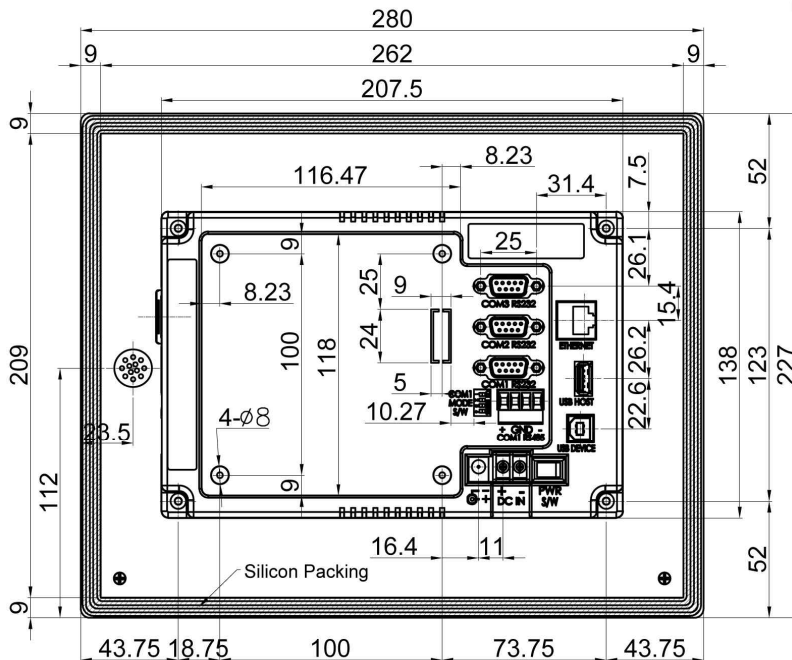
Then tighten the screws enough to hold the CUWIN securely against the front panel. Do not over tighten, or you will risk damaging the CUWIN.



4. Dimensions  
[CWA-104WR]

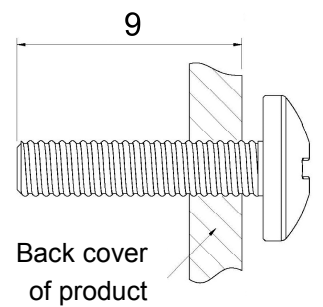
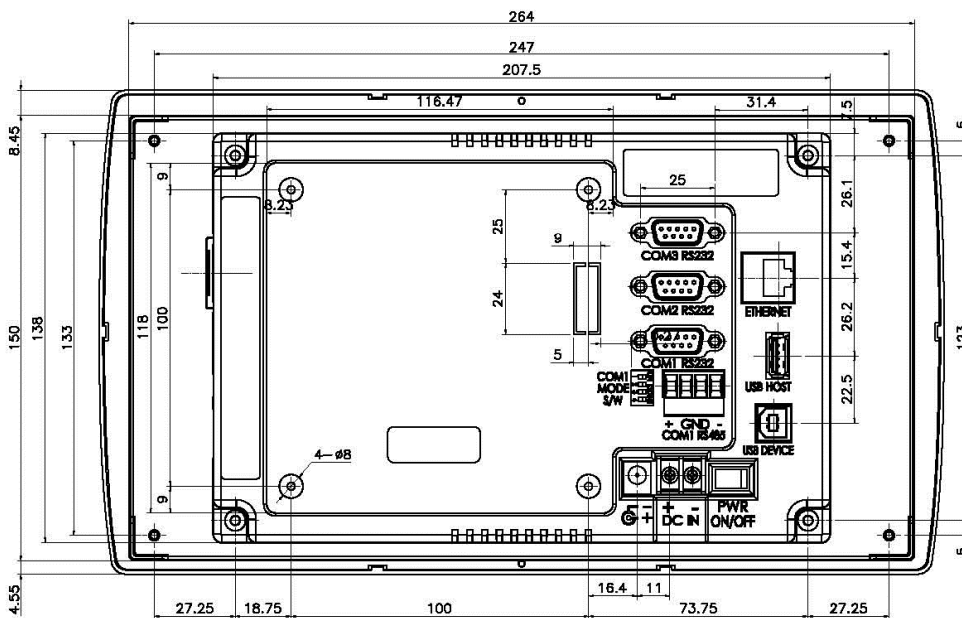
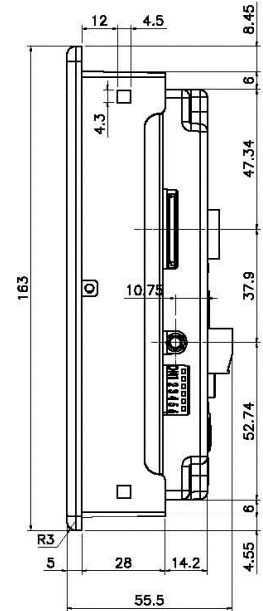
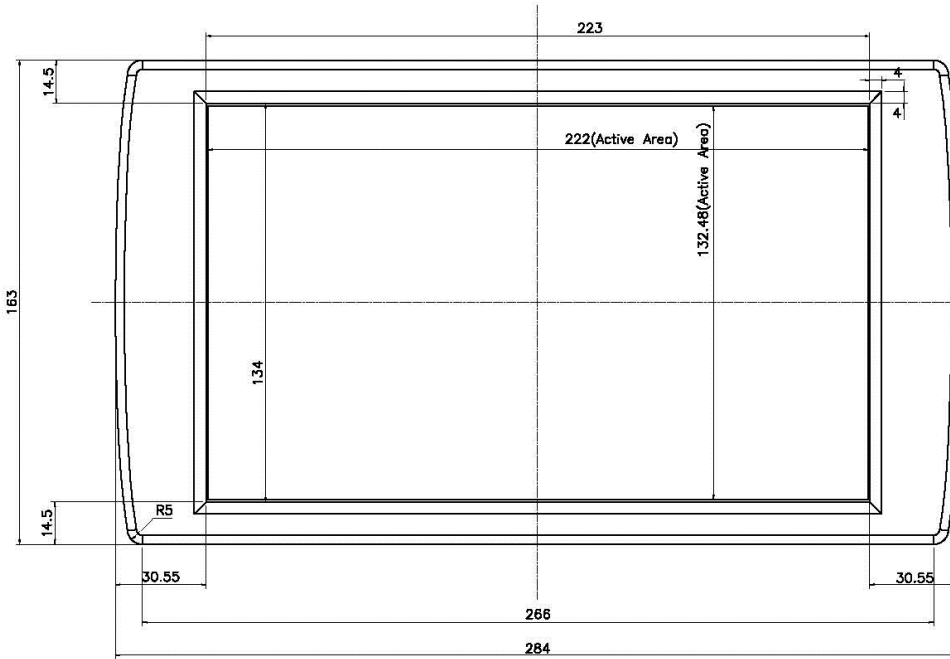
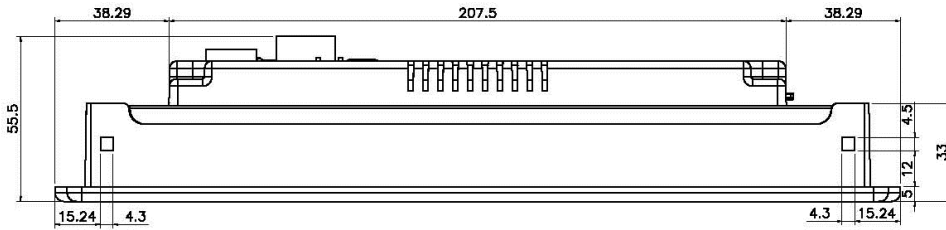


Unit: mm



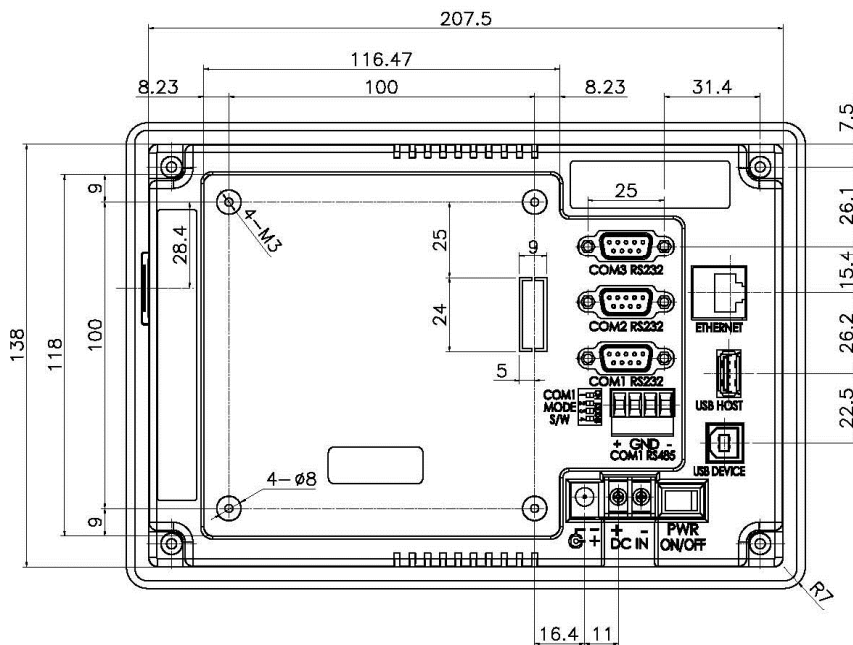
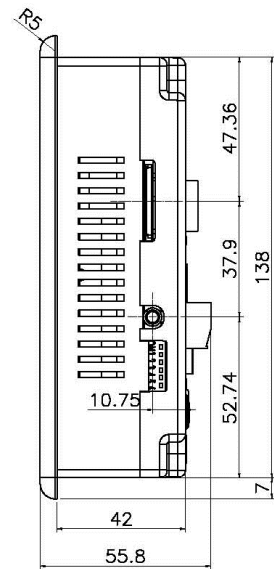
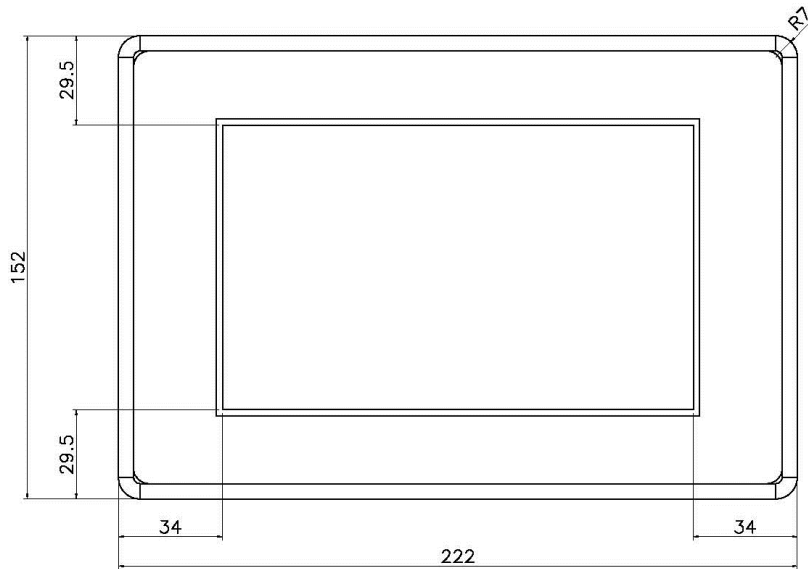
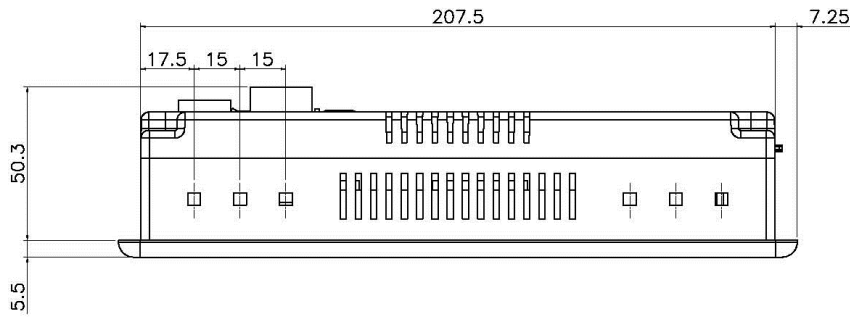
Avoid using long bolts when assembling VESA mounts or add-on board. The inner maximum length is about 9mm.

[CWA-102BR]

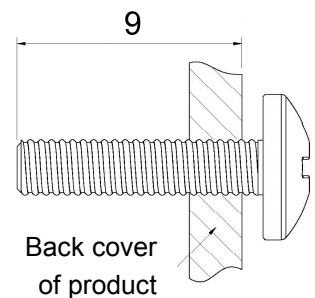


Avoid using long bolts when assembling VESA mounts or add-on board.  
The inner maximum length is about 9mm.

[CWA-070WR]



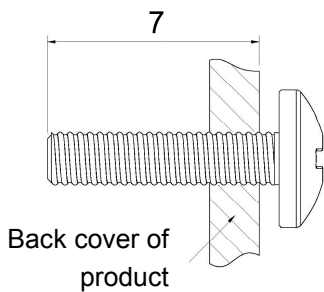
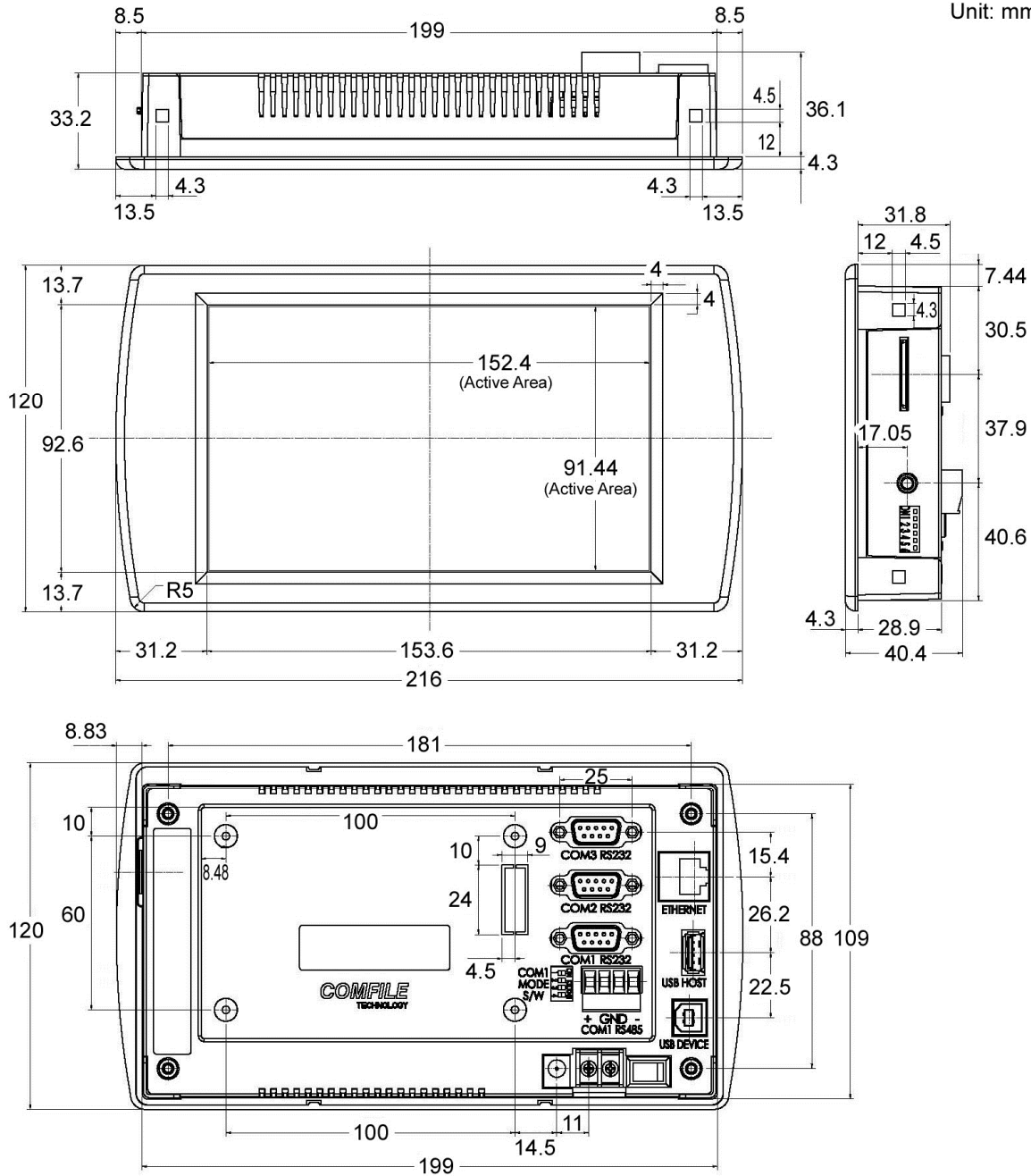
Unit: mm



Avoid using long bolts when assembling VESA mounts or add-on board. The inner maximum length is about 9mm.

[CWA-070BR]

Unit: mm

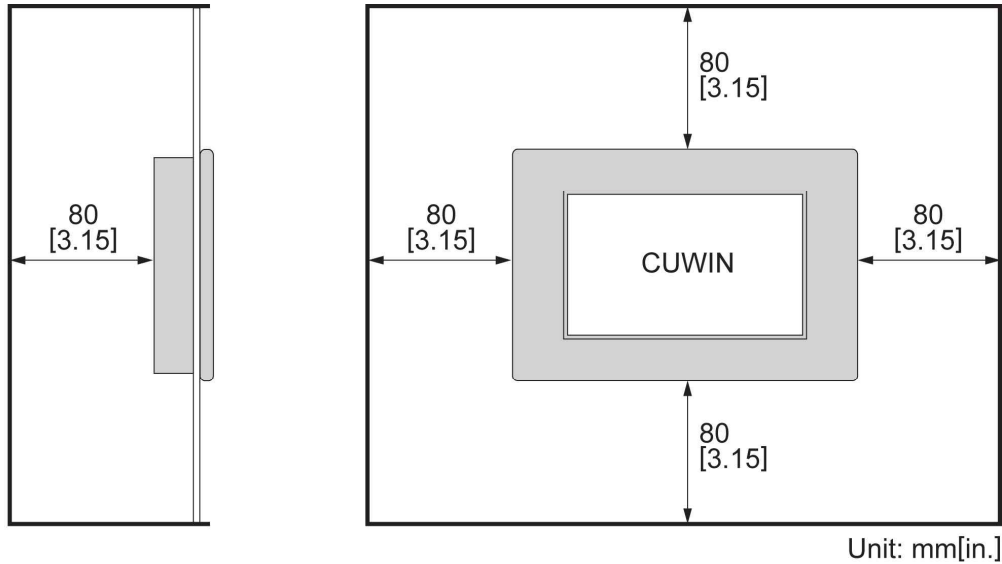


Avoid using long bolts when assembling VESA mounts or add-on board.  
The inner maximum length is about 7mm.

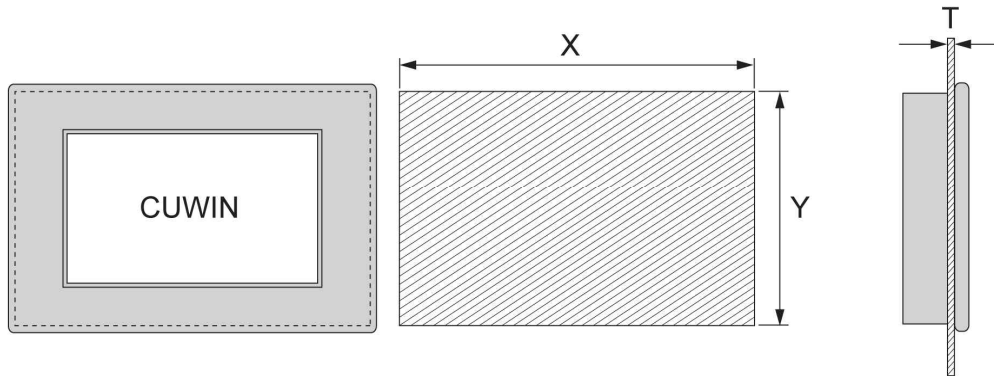


## 5. PANEL CUTOUT

### Installation Requirements



### Installation

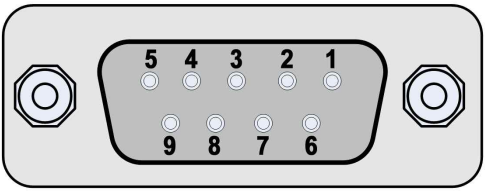


**X:** Panel Cutout Width, **Y:** Panel Cutout Height, **T:** Panel Thickness  
Unit: mm[in.]

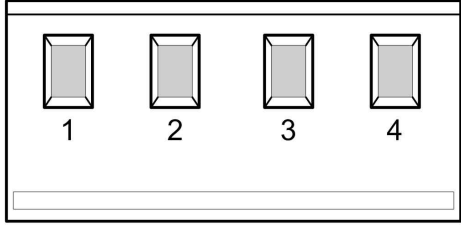
	<b>X</b>	<b>Y</b>	<b>T</b>
<b>CWA-104WR</b>	263 [10.36]	210 [8.27]	1.6 to 6.0 [0.06 to 0.24]
<b>CWA-102BR</b>	265 [10.44]	151 [5.95]	1.6 to 50 [0.06 to 0.20]
<b>CWA-070BR</b>	200 [7.88]	110 [4.34]	1.6 to 6.0 [0.06 to 0.24]
<b>CWA-070WR</b>	208 [8.19]	139 [5.48]	1.6 to 4.5 [0.06 to 0.18]

## 6. Input/Output Connectors

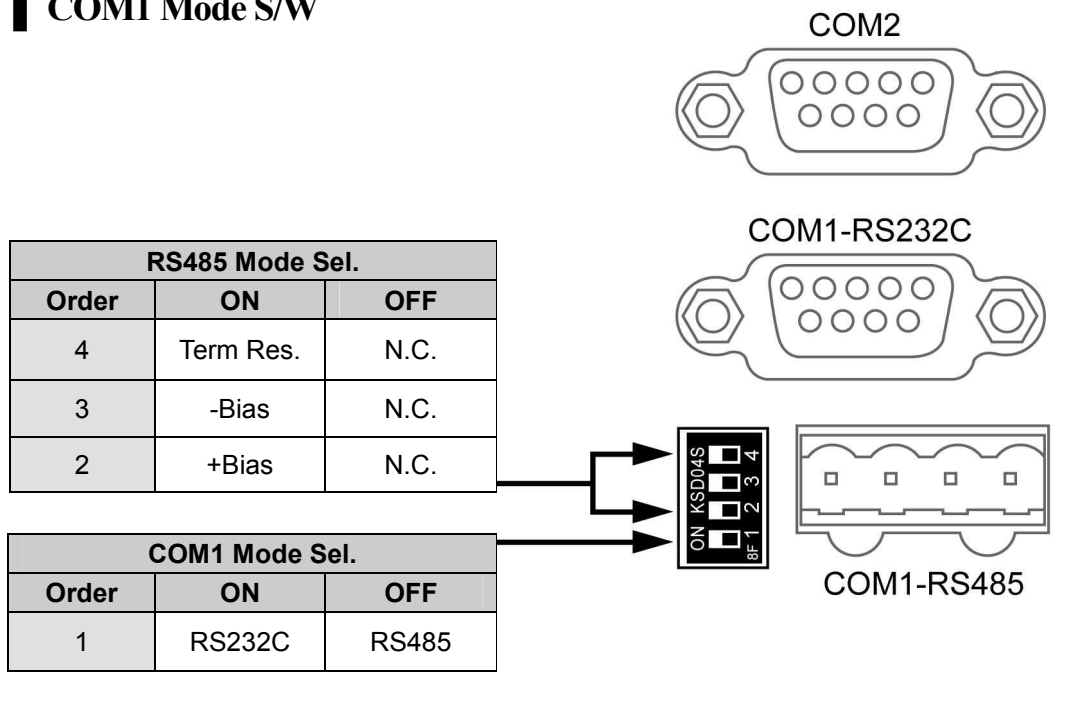
### RS232C Input/Output Connector (COM1\_RS232C, COM2, COM3)

Connector Type	Order	Name	Order	Name
 <p>*D-SUB 9Pin Female</p>	1	-	6	-
	2	TXD	7	-
	3	RXD	8	-
	4	-	9	-
	5	GND	-	-

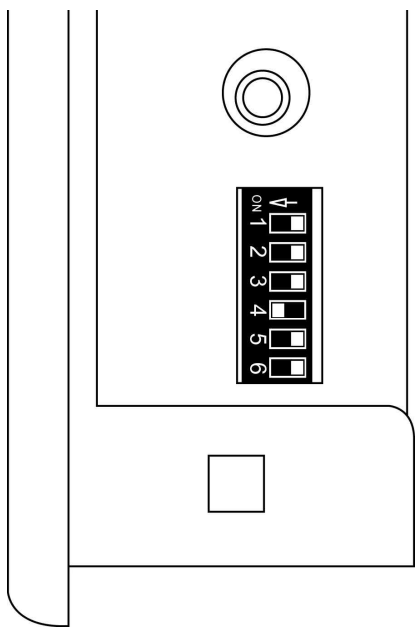
### RS485 Input/Output Connector (COM1\_RS485)

Connector Type	Order	Name
	1	D+
	2	GND
	3	GND
	4	D-

### COM1 Mode S/W

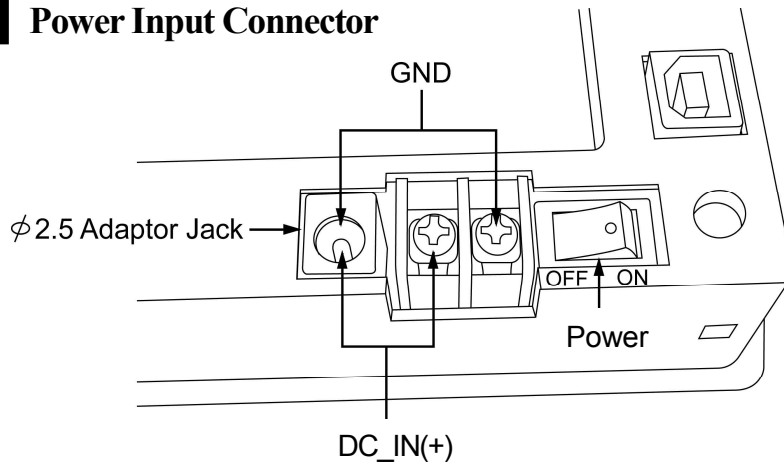


**Boot Mode S/W**

Connector Type	Order	Setting	
	1	Boot Mode Selection	Normal Boot Mode ON
		Download Mode OFF	
	2	Auto Run Mode	Auto Run Mode ON
			Development Mode OFF
	3	Reserved	
	4	Reserved	
5	Reserved		
6	Reserved		

\* Boot Device Selection S/W must be turned ON for normal booting.

**Power Input Connector**



**⚠ Caution for wiring**

- Please make sure if every power supply is off before starting wiring.
- Please check the voltage and cables before supplying power.

## 7. Warranty Policy

### ■ Warranty Period

The products are warranted to be free of defects in materials and workmanship for 1 year from the date of purchase.

### ■ Warranty Exclusions

The warranty does not cover abrasion and is considered void if the product is opened by unauthorized person, damaged by abnormal use, heat or humidity, or used against user manual.

### ■ Request of Warranty Repair

If the products have defect(s) during the warranty period, the customer should inquire at the manufacturer or dispatch the products with the description to the address the manufacturer provides. If the request is appropriate, the manufacturers repairs and dispatch it to the customer.

### ■ Limitation of Liability

The manufacturer and distributor are not responsible for damages or breakdowns caused by direct or indirect reasons, and the maximum duty of manufacturer and distributor are limited to the total amount paid by the customer. The limitations or exclusions of warranty have priority over any other warranty expressed explicitly, implicatively, in writing, or orally.

#### Contact Information

Should you need any additional information or assistance about CUWIN, please feel free to contact us.

**Comfile Technology Inc.**

14 Pidgeon Hill Dr. Suite 310 Sterling, VA 20165

**Telephone**

**Toll-Free : (888) 9CUBLOC, (888) 928 2562**

Office : (571) 322-5010

Fax : (571) 322-5011

Office Hours: Monday-Friday 8:30am-5pm EST

**E-mail**

Sales: [sales@comfiletech.com](mailto:sales@comfiletech.com)

Technical Support: [support@comfiletech.com](mailto:support@comfiletech.com)