

CUWIN

Hardware Manual

(CUWIN5200/5500/6300/6400)

[Version 2.0]



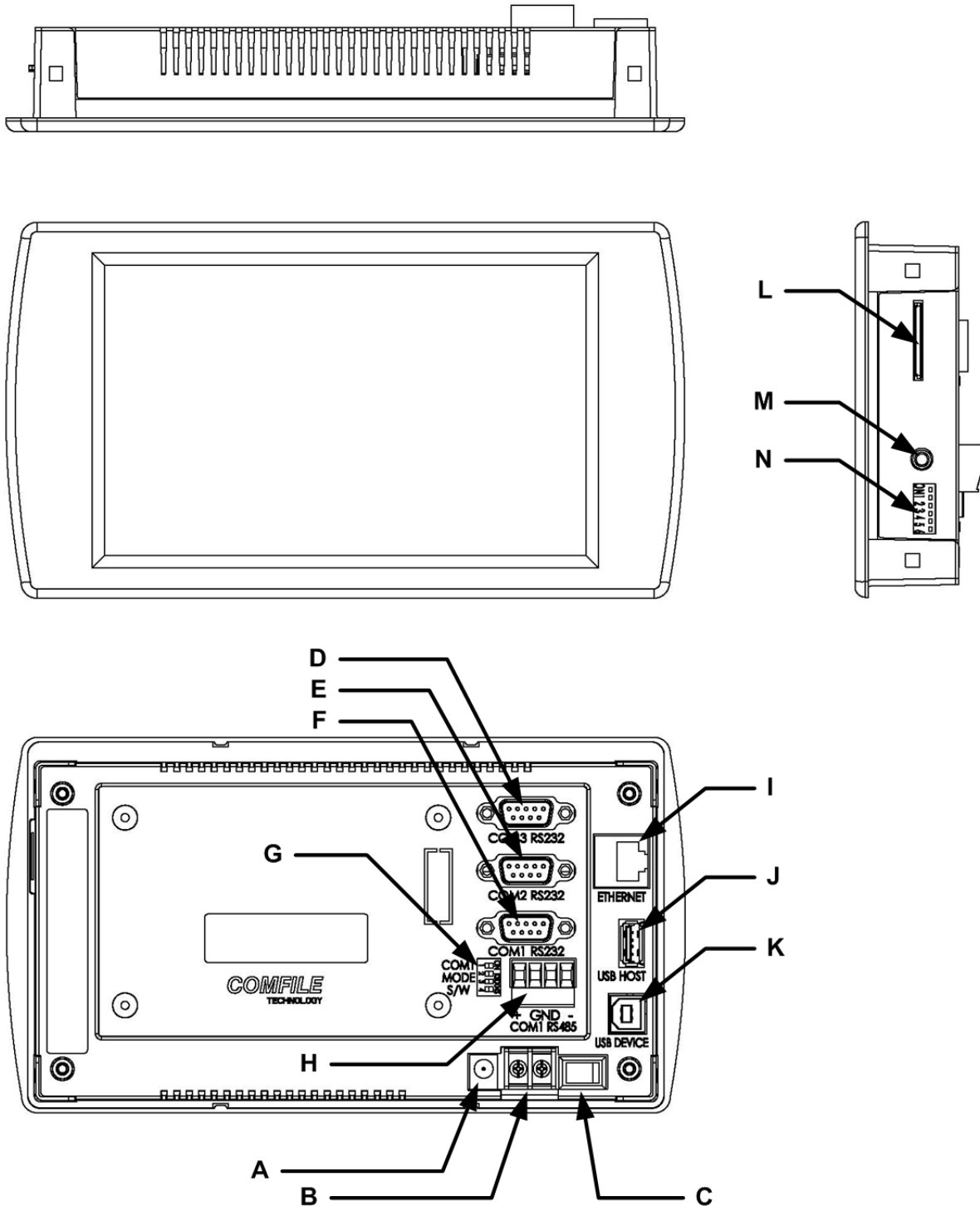
COMFILE
TECHNOLOGY
COMFILE Technology, Inc.

1. Hardware Specification

ITEM	MODEL			
	CUWIN5200	CUWIN5500	CUWIN6300	CUWIN6400
MCU	32Bit RISC CPU(ARM926EJ Core) – 533MHz			
Memory	SDRAM : 128MB NAND Flash : 128MB			
LCD	TFT LCD (260,000 Color) 7 Inch 800 x 480 300cd/m ²	TFT LCD (260,000 Color) 10.2 Inch 800 x 480 350cd/m ²	TFT LCD (260,000 Color) 10.4 Inch 800 x 600 400cd/m ²	
Backlight	LED Backlight (ON/OFF switchable)			
Ethernet	100Base-T (1Port)			
Touch	4 wire resistive panel			
RTC	MCU-embedded RTC ⁽¹⁾ (Battery replaceable)			
Audio	<0.8W Micro speaker embedded Stereo audio output (ø3.5 Audio Jack)			
USB	Host 1Port Device 1Port (Support USB Storage/ WiFi)			
Serial	COM1 (RS232C / RS485 switchable) COM2 (RS232C) COM3 (RS232C)			
SDCARD	Support external SD CARD (4GB bytes)			
Input Power	DC12V~DC24V			
Power Consumption	<6W (0.5A@12V)		<10W (0.8A@12V)	
MAX. Current	500mA		800mA	
Dimension (mm) H x V x D	216 x 120 x 41	222 x 152 x 56	284 x 163 x 56	280 x 227 x 56
Weight	450g	650g	1040g	1700g
Operating Temperature	0°C~70°C			

⁽¹⁾ The accuracy of the RTC depends on circumstances.

2. External Parts



	Name	Description
A	Power input DC-Jack	ϕ 2.5 DC Power Input Jack for adaptor
B	Power terminal	Power terminal for cables
C	Power S/W	Power input ON/OFF
D	COM3	COM3 (RS232C / Female Type D-SUB 9PIN)
E	COM2	COM2 (RS232C / Female Type D-SUB 9PIN)
F	COM1_RS232C	COM1_RS232C (RS232C / Female Type D-SUB 9PIN)
G	COM1 Mode Switch	DIP Switch for selecting COM1 mode
H	COM1_RS485	COM1_RS485 Port (RS485)
I	Ethernet	100Base-T Ethernet Port (RJ-45)
J	USB_HOST	USB Host Port (USB A Type Connector)
K	USB_DEVICE	USB Device Port (USB B Type Connector)
L	SD Card Connector	SD Card slot
M	Audio Out	Stereo Audio Output Port (ϕ 3.5)
N	Boot Mode S/W	DIP Switch for selecting Boot mode

3. Panel Installation Instructions

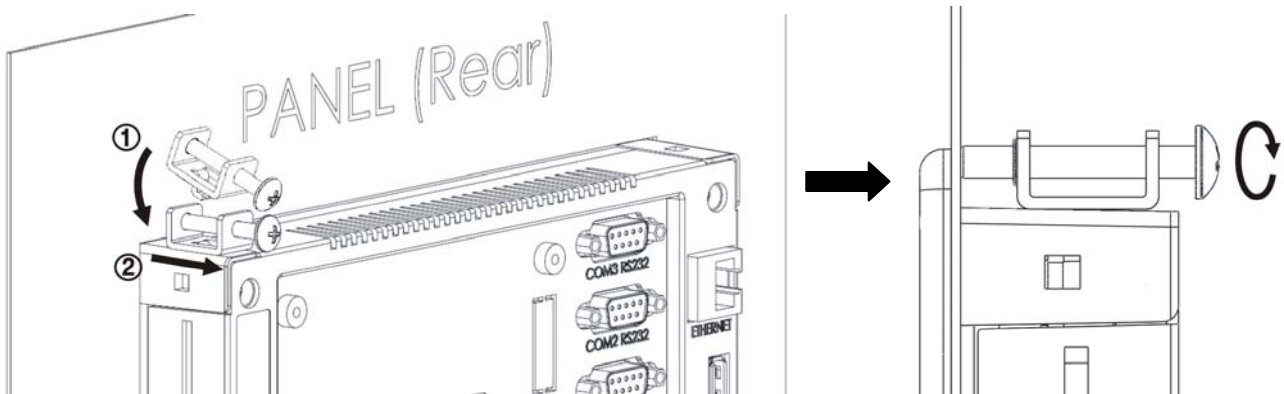
Mounting brackets and bolts are provided.

Insert a bolt into each mounting bracket as shown in the diagram below.



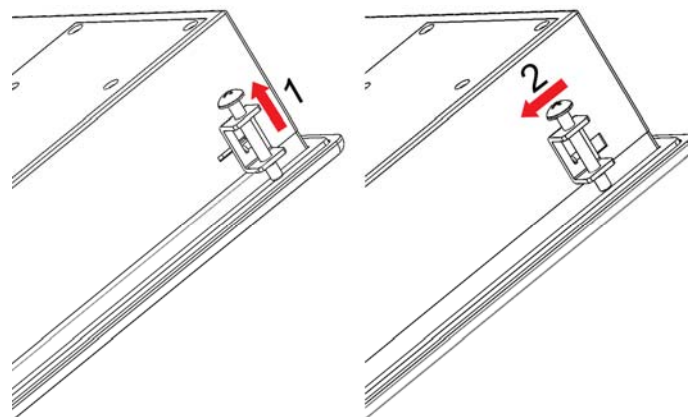
[CUWIN5200/5500/6300]

1. Make a hole in the panel according to the CUWIN's cutout diagram, and insert the CUWIN into place.
2. Hook a bracket into one of the CUWIN's bracket mounting holes, and pull gently to hold it firmly in place.
3. Tighten the bolt against the panel to secure the CUWIN to the panel. (Be careful not to tighten the bolts too tightly, or the CUWIN could be damaged.)
4. Repeat steps 3 and 4 for each mounting bracket.



[CUWIN6400]

1. Push and install the CUWIN6400 into your panel.
2. Press the bracket as the following directions in two steps.

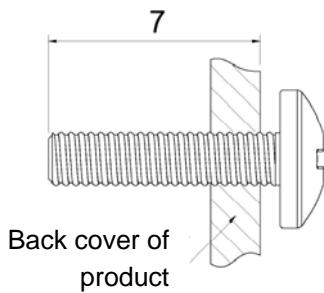
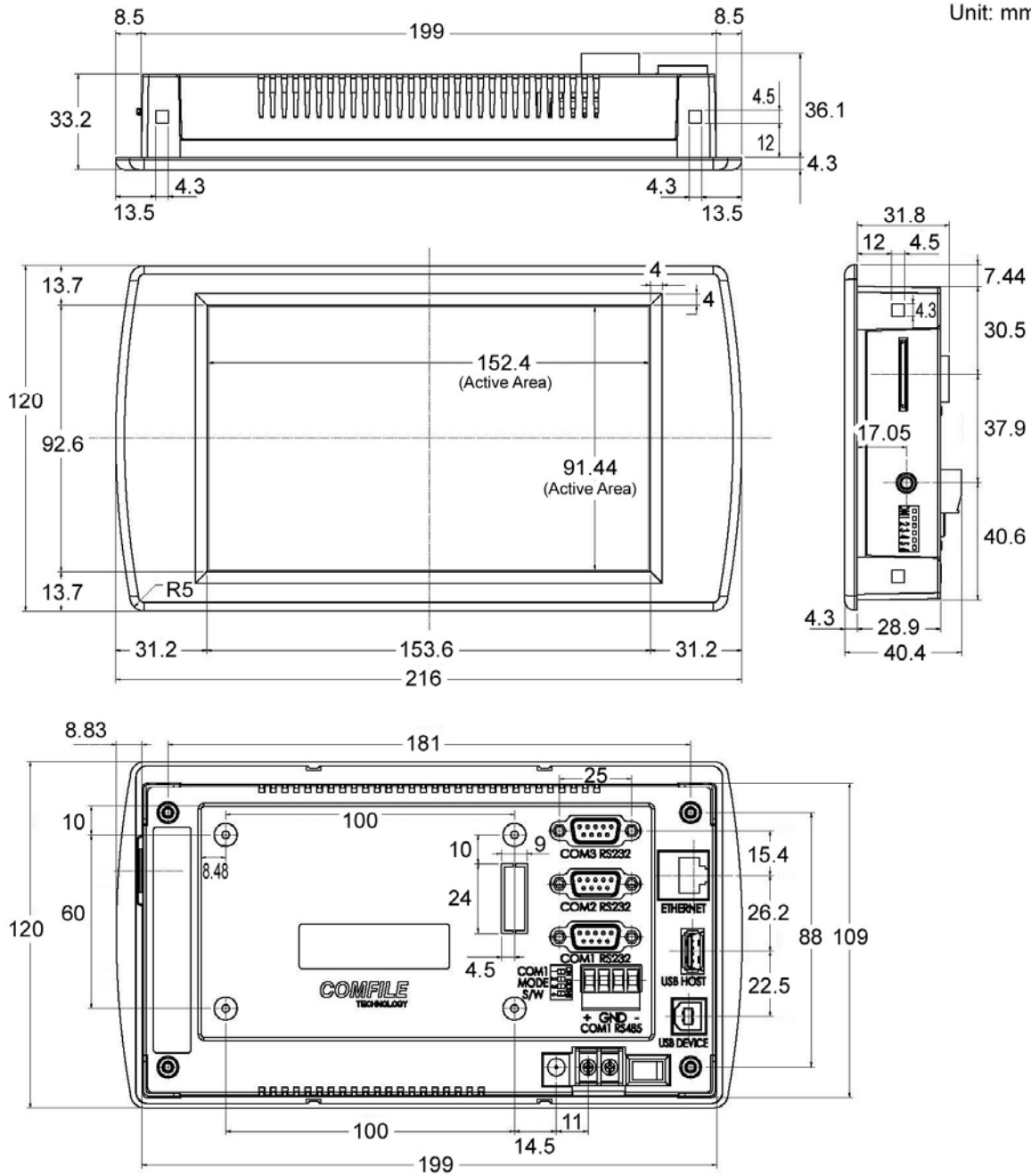


3. To fix the CUWIN6400 to the panel, fasten the bolts.

4. Dimensions

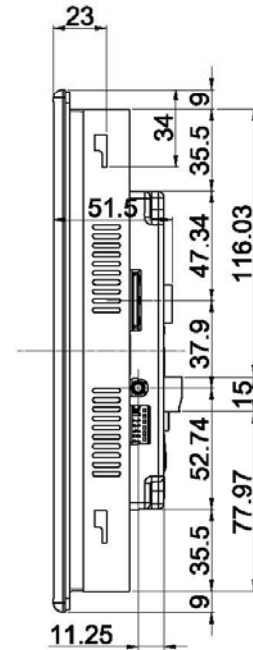
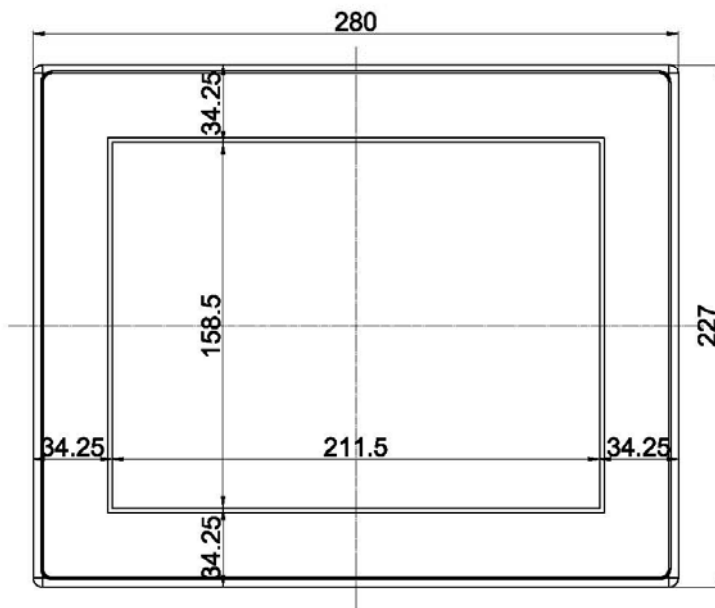
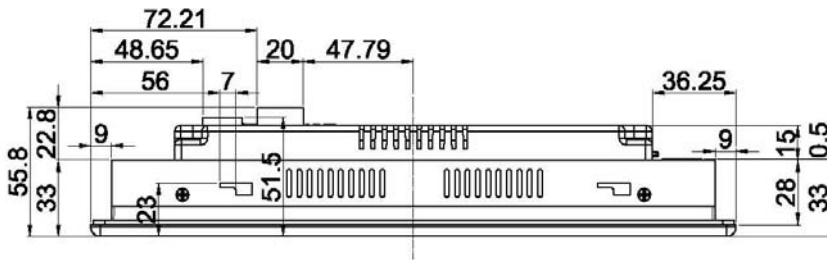
[CUWIN5200]

Unit: mm

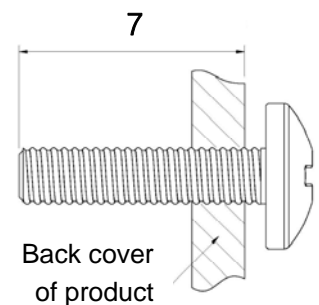
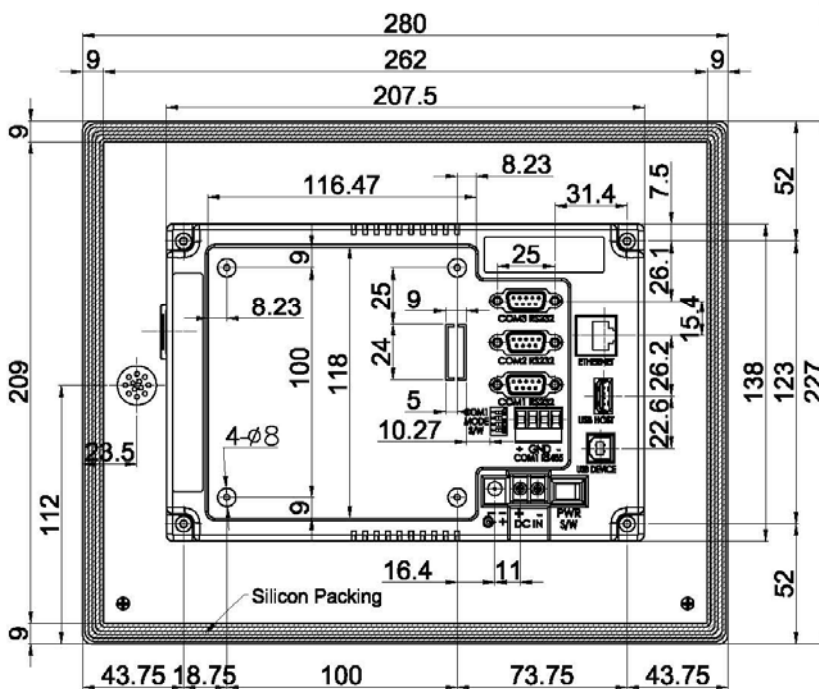


Avoid using long bolts when assembling VESA mounts or add-on board.
The inner maximum length is about 7mm.

[CUWIN6400]



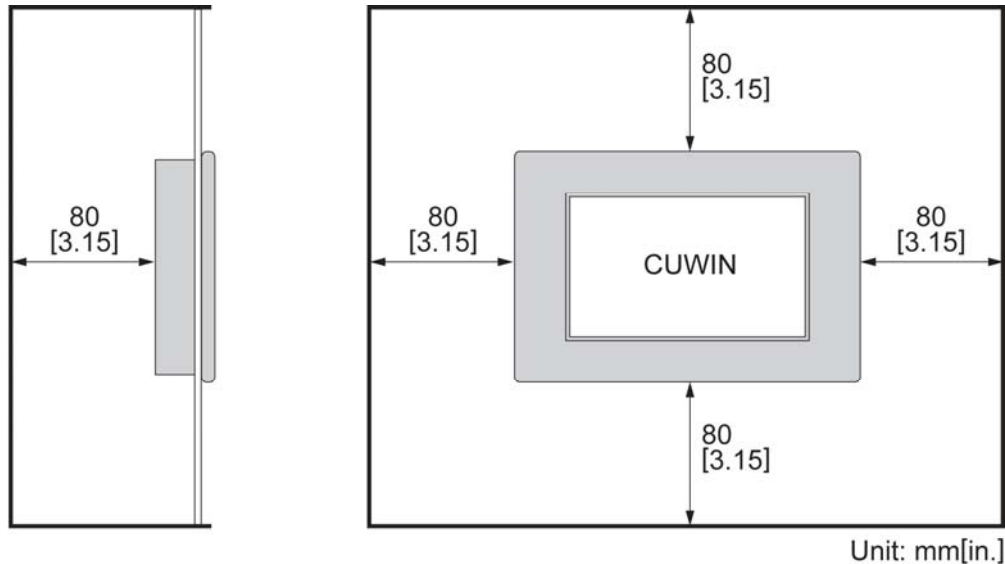
Unit: mm



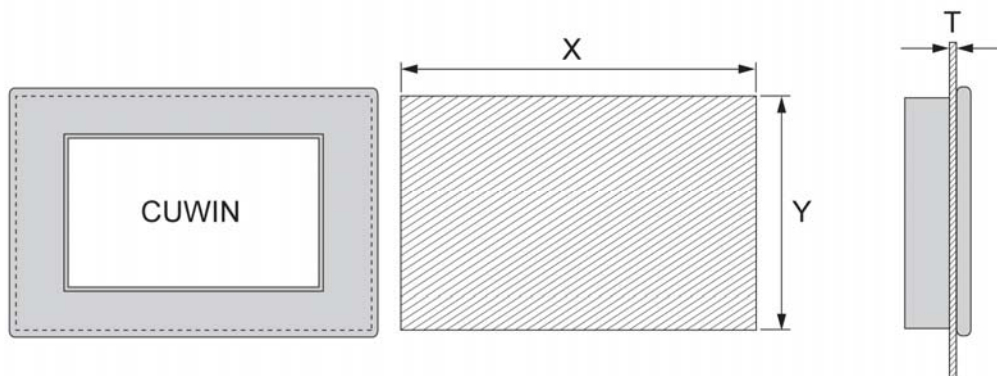
Avoid using long bolts when assembling VESA mounts or add-on board.
The inner maximum length is about 7mm.

5. PANEL CUTOUT

Installation Requirements



Installation

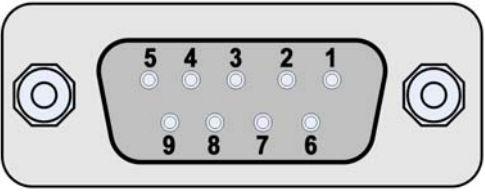


X: Panel Cutout Width, **Y:** Panel Cutout Height, **T:** Panel Thickness
Unit: mm[in.]

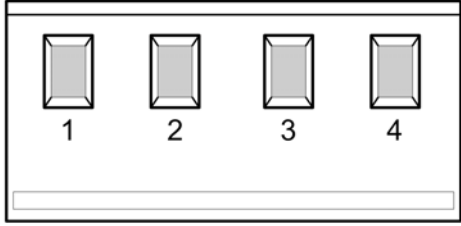
CUWIN	X	Y	T
5200	200 [7.88]	110 [4.34]	1.6 to 6.0 [0.06 to 0.24]
5500	208 [8.19]	139 [5.48]	1.6 to 4.5 [0.06 to 0.18]
6300	265 [10.44]	151 [5.95]	1.6 to 5.0 [0.06 to 0.20]
6400	263 [10.36]	210 [8.27]	1.6 to 6.0 [0.06 to 0.24]

6. Input/Output Connectors

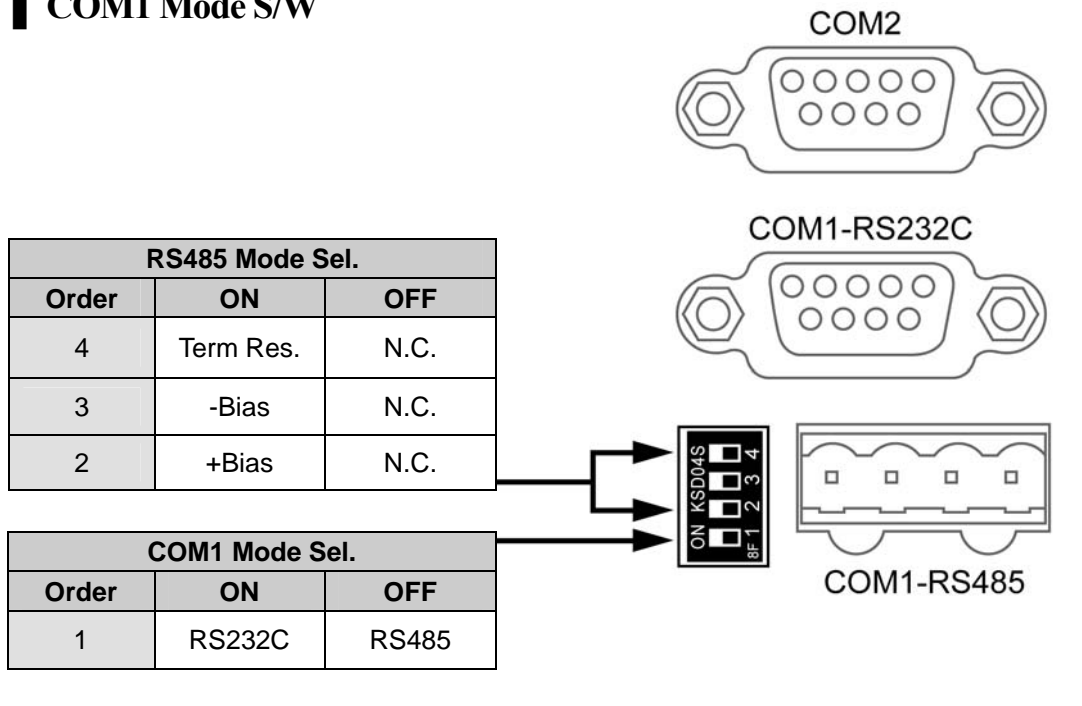
RS232C Input/Output Connector (COM1_RS232C, COM2, COM3)

Connector Type	Order	Name	Order	Name
 <p>*D-SUB 9Pin Female</p>	1	-	6	-
	2	TXD	7	-
	3	RXD	8	-
	4	-	9	-
	5	GND	-	-

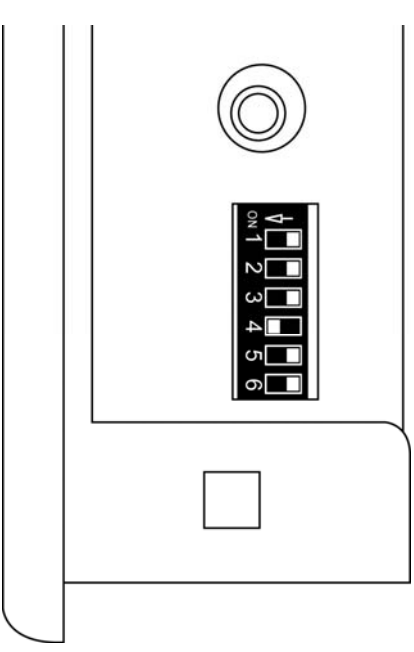
RS485 Input/Output Connector (COM1_RS485)

Connector Type	Order	Name
	1	D+
	2	GND
	3	GND
	4	D-

COM1 Mode S/W

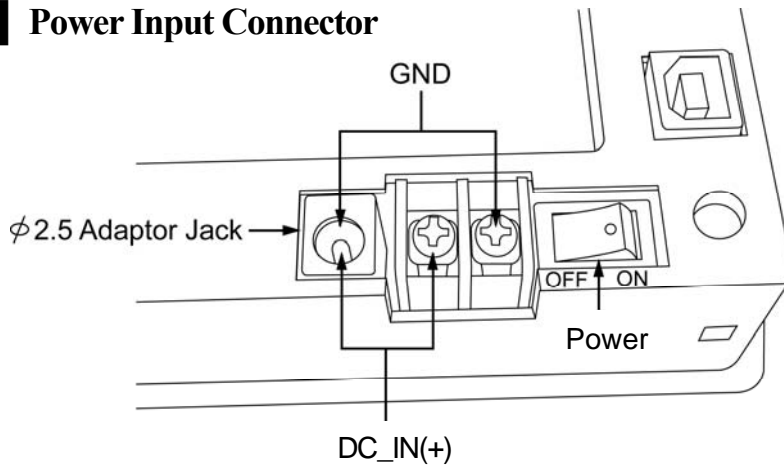


Boot Mode S/W

Connector Type	Order	Setting			
	1	Boot Device Selection	NAND Boot		ON
			SD CARD Boot		OFF
	2	Boot Mode	Reserved	2	ON
				3	ON
	Auto Run Mode		2	ON	
			3	OFF	
3	OS Download Mode	2	OFF		
		3	ON		
Development Mode	2	OFF			
	3	OFF			
4	Reserved				
5	Reserved				
6	Reserved				

* Boot Device Selection S/W must be turned ON for normal booting.

Power Input Connector



⚠ Caution for wiring

- Please make sure if every power supply is off before starting wiring.
- Please check the voltage and cables before supplying power.

7. EMI/EMC Certifications

- ▶ CUWIN5200: CE/FCC/KCC Class A



- ▶ CUWIN5500: CE/FCC/KCC Class A



- ▶ CUWIN6300: CE/FCC/KCC Class A



- ▶ CUWIN6400: CE/FCC/KCC Class A



8. Warranty Policy

■ Warranty Period

The products are warranted to be free of defects in materials and workmanship for 1 year from the date of purchase.

■ Warranty Exclusions

The warranty does not cover abrasion and is considered void if the product is opened by unauthorized person, damaged by abnormal use, heat or humidity, or used against user manual.

■ Request of Warranty Repair

If the products have defect(s) during the warranty period, the customer should inquire at the manufacturer or dispatch the products with the description to the address the manufacturer provides. If the request is appropriate, the manufacturers repairs and dispatch it to the customer.

■ Limitation of Liability

The manufacturer and distributor are not responsible for damages or breakdowns caused by direct or indirect reasons, and the maximum duty of manufacturer and distributor are limited to the total amount paid by the customer. The limitations or exclusions of warranty have priority over any other warranty expressed explicitly, implicatively, in writing, or orally.

Contact Information

Should you need any additional information or assistance about CUWIN5000/6000 series, please feel free to contact us.

Comfile Technology Inc.

1175 Chess Dr., Suite F, FOSTER CITY, CA 94404, U.S.A

Telephone

Toll-Free : (888) 9CUBLOC, (888) 928 2562

Office : (650) 638 1350

Fax : (650) 638 1360

Office Hours: Monday-Friday 8am-5pm PST

E-mail

Sales: sales@comfiletech.com

Technical Support: support@comfiletech.com